

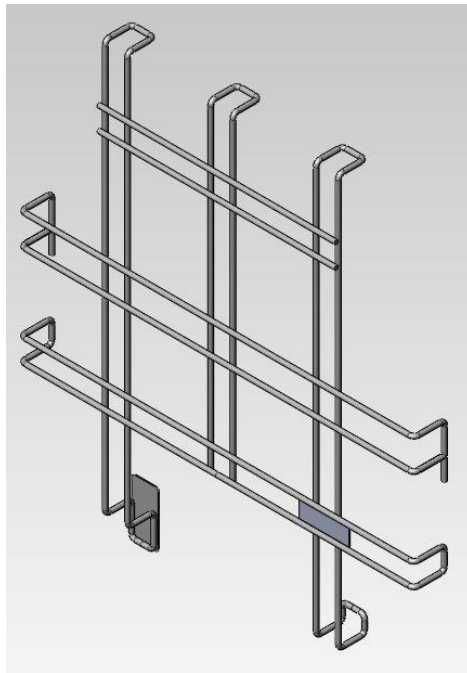


# Field Installation and Usage Instructions

## Part No. TMA101-15 & TMA101W-15

### Chest X-ray Cassette Holder

*For Certain Model TMM4 Chairs*



5516 S.W. 1st Lane – Ocala, FL 34474-9307  
Phone: 1-800-237-3377 - Fax: 1-352-854-9544  
[www.transmotionmedical.com](http://www.transmotionmedical.com)

Document No.: IM TMA(101,101W)-15  
Revision: D

# TABLE OF CONTENTS

IMPORTANT NOTES ABOUT THIS MANUAL .....3

SPECIAL NOTES - SIGNAL WORDS .....3

TOOLS REQUIRED.....4

PARTS INCLUDED FOR TMA(101,101W)-15 .....4

PREPARING CHAIR FOR X-RAY CASSETTE HOLDER INSTALLATION.....4

INSTALLING X-RAY CASSETTE HOLDER .....5

CAUTIONARY USAGE INSTRUCTIONS.....6

PREVENTIVE MAINTENANCE .....6

CLEANING INSTRUCTIONS .....7

## IMPORTANT NOTES ABOUT THIS MANUAL

---

This Field Installation and Usage Instruction manual is intended to assist you with installation of your TransMotion Medical Product. Carefully read this manual before using the equipment or doing service / maintenance on it. If you are unable to understand the WARNINGS, CAUTIONS, and instructions, contact TransMotion Medical Customer Service before attempting to operate or service the equipment. Otherwise, personal injury or property damage may result.

To ensure safe operation of this device, it is essential that methods and procedures be established for educating and training staff on the safe and effective operation of the product.

TransMotion Medical reserves the right to change specifications without notice.

The information contained in this document is subject to change without notice.

Specifications listed are nominal, and operation may vary slightly from unit to unit due to tolerance variations.

Figures contained within this document may not depict exactly the model you have. This document may cover many closely related models.

## SPECIAL NOTES - SIGNAL WORDS

---

Signal words are used in this manual and apply to hazards which could result in injury or property damage. The following is a definition of those signal words as used in this document:

### **DANGER**

Indicates an imminently hazardous situation which, if not avoided, will result in death or serious injury.

### **WARNING**

Indicates a potentially hazardous situation which, if not avoided, could result in death or serious injury.

### **CAUTION**

Indicates a potentially hazardous situation which, if not avoided, may result in minor or moderate injury. It may also be used to alert against unsafe practices or potential property damage hazards.

### **NOTICE**

Provides important information, makes special instructions clearer, or provides service personnel information to make maintenance easier.

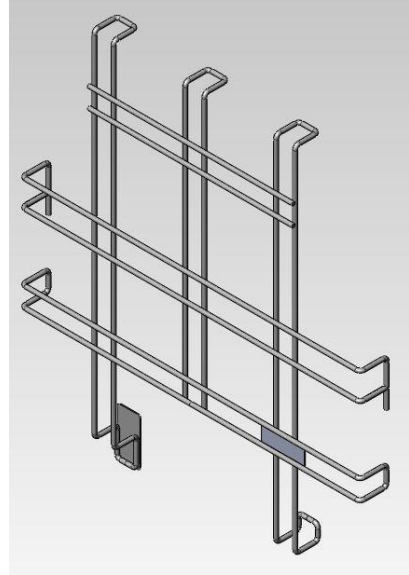
## TOOLS REQUIRED

Tools are not required to install chest x-ray cassette holder.

## PARTS INCLUDED FOR TMA(101,101W)-15

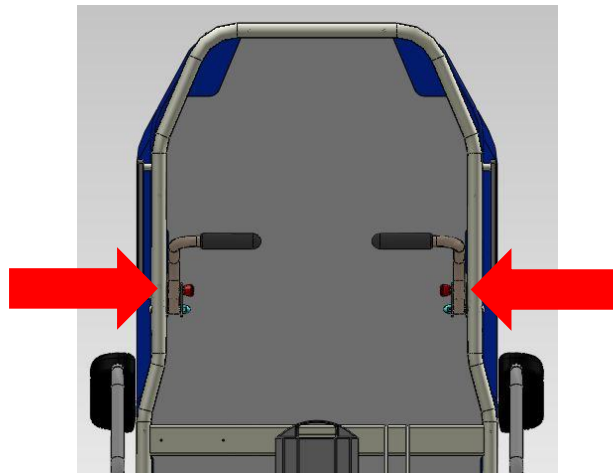
Chest x-ray cassette holder is one-piece design (as shown here).

If any features seem damaged due to shipping, contact TMM Service Department toll-free at 1-800-237-3377.



## PREPARING CHAIR FOR X-RAY CASSETTE HOLDER INSTALLATION

Position chair to allow easy access to chair back.

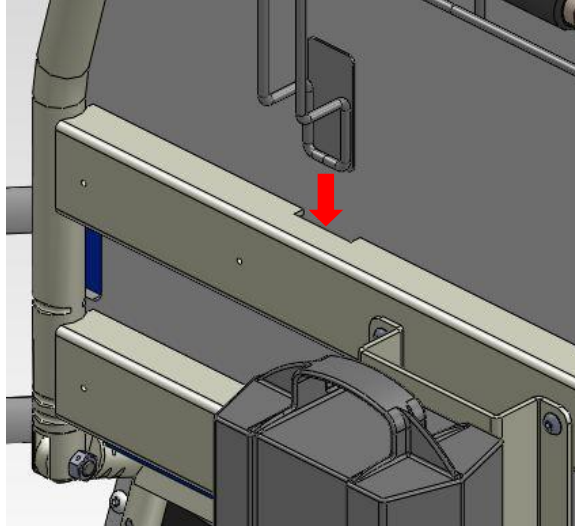


# INSTALLING X-RAY CASSETTE HOLDER

- 1) With x-ray cassette located in holder, insert locator tab in notch of back frame.



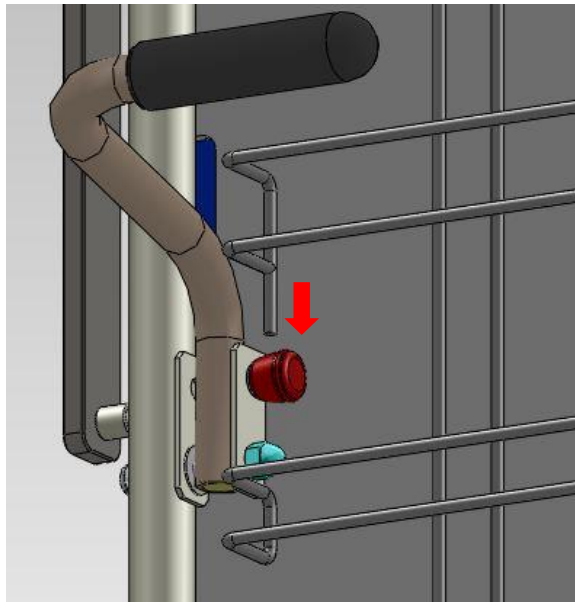
For clarity, x-ray cassette is omitted from figures for steps 1 and 2.



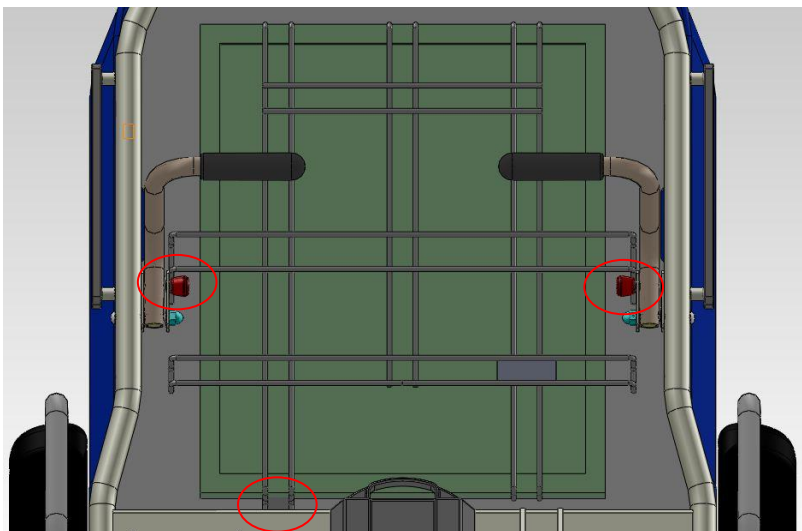
- 2) Place wire "post" behind red pull knob for push handle. Do this on both sides.



If a tight fit exists, red pull knob may be pulled out slightly (and then released) to accommodate wire thickness.



- 3) Ensure three interfaces (two wire posts and locator tab) are engaged prior to adjusting back of chair.



## CAUTIONARY USAGE INSTRUCTIONS

---

When using this accessory, please follow these cautionary usage instructions:

**⚠ CAUTION** TO PREVENT PERSONAL INJURY TO MEDICAL PERSONNEL, ENSURE CASSETTE HOLDER IS PROPERLY INSTALLED AND SECURELY ENGAGED PRIOR TO TRANSPORTING PATIENT / CHAIR, AND PRIOR TO ADJUSTING POSITION OF BACK SECTION OF CHAIR.

## PREVENTIVE MAINTENANCE

---

To ensure proper operation, this accessory should be inspected and maintained as described below.

COMPONENT	FREQUENCY	PROCEDURE	TOOL	COMMENT
Vinyl Coating	Every three months	Inspect coating for significant scratches and scrapes and overall deterioration.	-	Replace accessory as needed.
Welded Joints	Every three months	Inspect welds at wire intersections and locator tab.	-	If welds are broken, replace accessory.

# CLEANING INSTRUCTIONS

**⚠ CAUTION** STEAM AND/OR PRESSURE CLEANING CHAIR WILL VOID WARRANTY

COMPONENT	FREQUENCY	PROCEDURE	CLEANING AGENT *	COMMENT
All Rails and Painted Metal	As required/in accordance with facility policies	Wipe with damp cloth and allow to air dry	Facility approved detergents, disinfectants & water	Check for chipped paint/chrome
Base Cover	As required/in accordance with facility policies	Wipe with damp cloth and allow to air dry	Facility approved detergents, disinfectants & water	Check for peeling or missing labels
Actuators and Battery Pack	As required/in accordance with facility policies	Wipe with damp cloth and allow to air dry	Facility approved detergents, disinfectants & water	Clean exterior surfaces only with minimal water
Pendants	As required/in accordance with facility policies	Wipe with damp cloth and allow to air dry	Facility approved detergents, disinfectants & water	Clean exterior surfaces only with minimal water
All Other Surfaces	As required/in accordance with facility policies	Wipe with damp cloth and allow to air dry	Facility approved detergents, disinfectants & water	Check for damage
TransMotion Medical Accessories	As required/in accordance with facility policies	Wipe with damp cloth and allow to air dry	Facility approved detergents, disinfectants & water	Check for damage
3rd Party Accessories	As required/in accordance with facility policies	Consult manual provided by accessory manufacturer.		

\* Use of Facility approved detergents and disinfectants must comply with the instructions provided by the manufacturer(s) of those products.

## Upholstery Care & Cleaning Instructions

Proper care is essential in ensuring the durability and reliability of TransMotion Medical upholstery. In general, all products should be:

1. Cleaned
2. Disinfected (in accordance with facility policy)
3. Rinsed
4. Allowed to air dry

It is important to note that the terms “disinfecting” and “cleaning” should not be used interchangeably. Disinfectants alone will not provide adequate cleaning since they do not have the appropriate properties to cut grease or oil and remove grime, hair or skin oils. The appearance, feel and performance of your upholstery may diminish if not cleaned properly.

### Cleaning:

Remove hair, grime and body oils. Your upholstery should be cleaned on a regular basis with a damp cloth soaked in a mild soap and water solution. Avoid harsh detergents or chemicals that could damage the finish of your product. If disinfecting with manufacturer approved chemicals or bleach, the upholstery MUST be wiped off using clean water on a damp cloth and allowed to air-dry as a final step. Failure to rinse upholstery with clean water can result in a build-up of residues that, over time, may lead to drying, cracking or other undesirable changes to appearance, feel and performance.

Retain all instructional tags for future use.

Contact the manufacturer of the fabric used in your upholstery for a current list of approved disinfectants. TransMotion Medical Customer Care can assist with identifying which upholstery was used with your Stretcher-Chair.

For customer supplied and non-standard materials, please refer to the individual manufacturer’s cleaning instructions.