

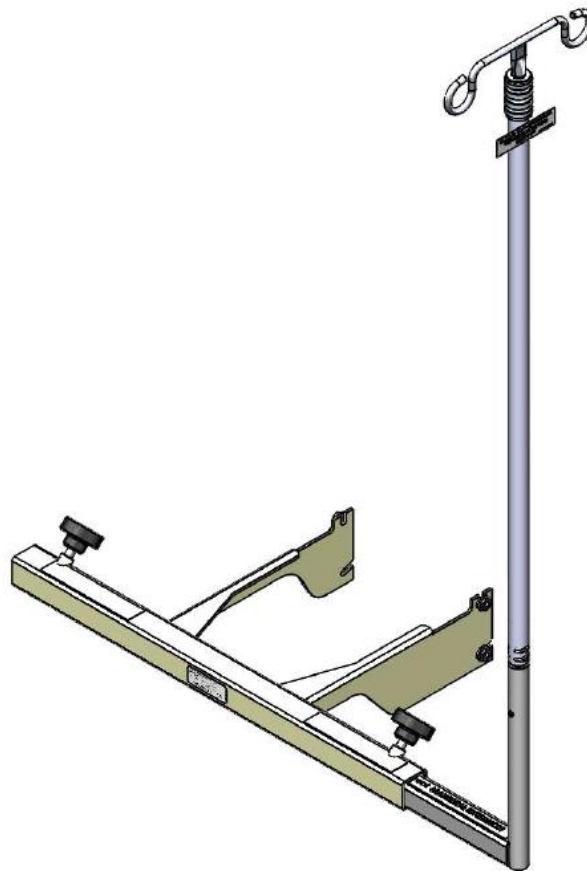


# Field Installation and Usage Instructions

**Part No. TMA143-15**

**Stationary IV Rod Holder**

*For all XT-Series Chairs*



5516 S.W. 1<sup>st</sup> lane – Ocala, FL 34474  
Phone: 1-800-237-3377 - Fax: 1-352-854-9544  
[www.transmotionmedical.com](http://www.transmotionmedical.com)

Document No.: IM TMA143-15  
Revision: D

# TABLE OF CONTENTS

IMPORTANT NOTES ABOUT THIS MANUAL.....	3
SPECIAL NOTES - SIGNAL WORDS .....	3
TOOLS REQUIRED.....	4
PARTS INCLUDED FOR TMA143-15 .....	4
PREPARING CHAIR FOR IV ROD HOLDER INSTALLATION .....	4
INSTALLING IV HOLDER .....	5
INSTALLING IV ROD .....	8
ADJUSTING IV ROD .....	10
CAUTIONARY USAGE INSTRUCTIONS.....	12
CLEANING INSTRUCTIONS .....	12
PREVENTIVE MAINTENANCE .....	13
SERVICE INFORMATION.....	14

## IMPORTANT NOTES ABOUT THIS MANUAL

---

This Field Installation and Usage Instruction manual is intended to assist you with installation of your TransMotion Medical Product. Carefully read this manual before using the equipment or doing service / maintenance on it. If you are unable to understand the WARNINGS, CAUTIONS, and instructions, contact TransMotion Medical Customer Service before attempting to operate or service the equipment. Otherwise, personal injury or property damage may result.

To ensure safe operation of this device, it is essential that methods and procedures be established for educating and training staff on the safe and effective operation of the product.

TransMotion Medical reserves the right to change specifications without notice.

The information contained in this document is subject to change without notice.

Specifications listed are nominal, and operation may vary slightly from unit to unit due to tolerance variations.

Figures contained within this document may not depict exactly the model you have. This document may cover many closely related models.

## SPECIAL NOTES - SIGNAL WORDS

---

Signal words are used in this manual and apply to hazards which could result in injury or property damage. The following is a definition of those signal words as used in this document:

### **DANGER**

Indicates an imminently hazardous situation which, if not avoided, will result in death or serious injury.

### **WARNING**

Indicates a potentially hazardous situation which, if not avoided, could result in death or serious injury.

### **CAUTION**

Indicates a potentially hazardous situation which, if not avoided, may result in minor or moderate injury. It may also be used to alert against unsafe practices or potential property damage hazards.

### **NOTICE**

Provides important information, makes special instructions clearer, or provides service personnel information to make maintenance easier.

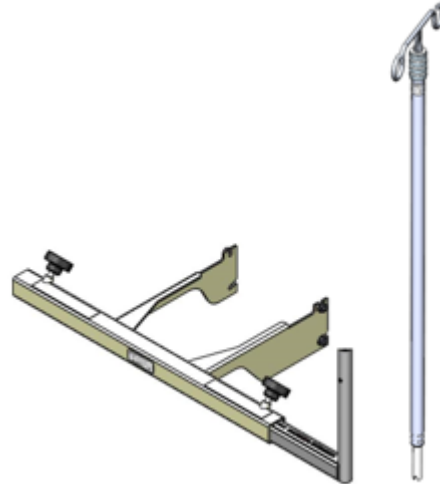
## TOOLS REQUIRED

- 7/16" wrench

## PARTS INCLUDED FOR TMA143-15

Stationary IV Rod Holder is shipped as shown here.

If any features seem damaged due to shipping, contact TMM Service Department toll-free at 1-800-237-3377.



## PREPARING CHAIR FOR IV ROD HOLDER INSTALLATION

- 1) Raise chair to highest height
- 2) Extend leg section to allow access to column area.
- 3) Tilt seat rearward (trendelenberg).

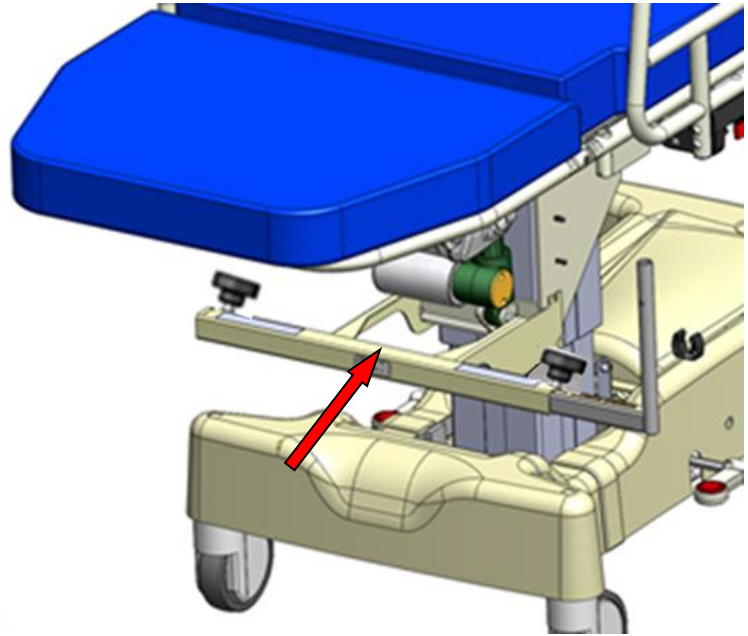


## INSTALLING IV HOLDER

- 1) Align lower bracket with column as shown to the right.



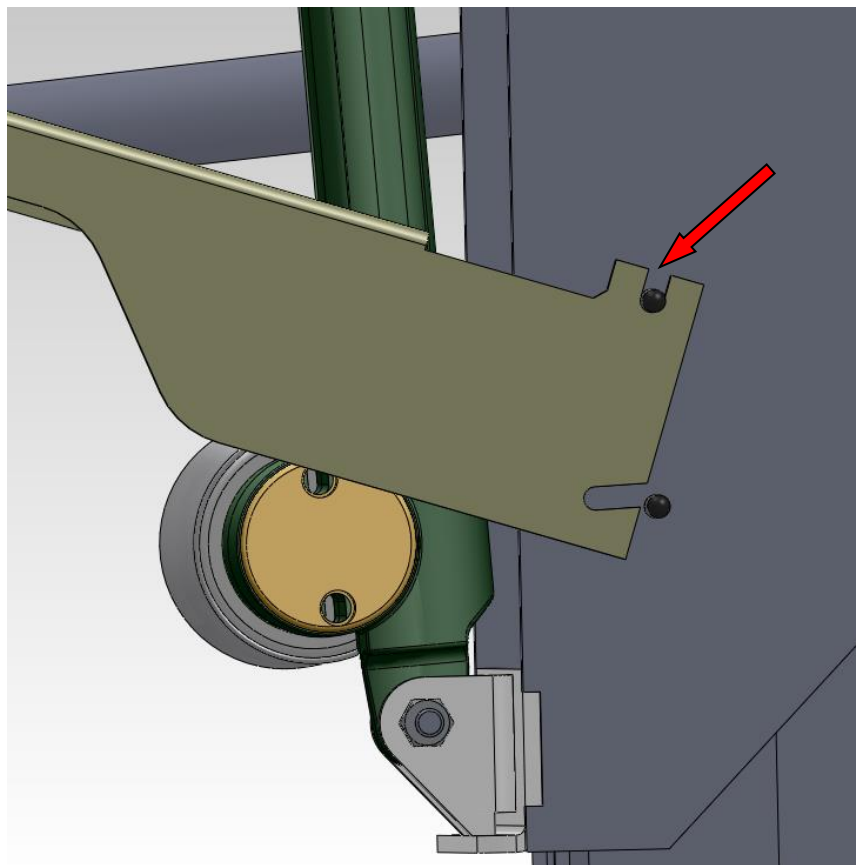
For proper fit and function ensure holder is oriented correctly (as shown).



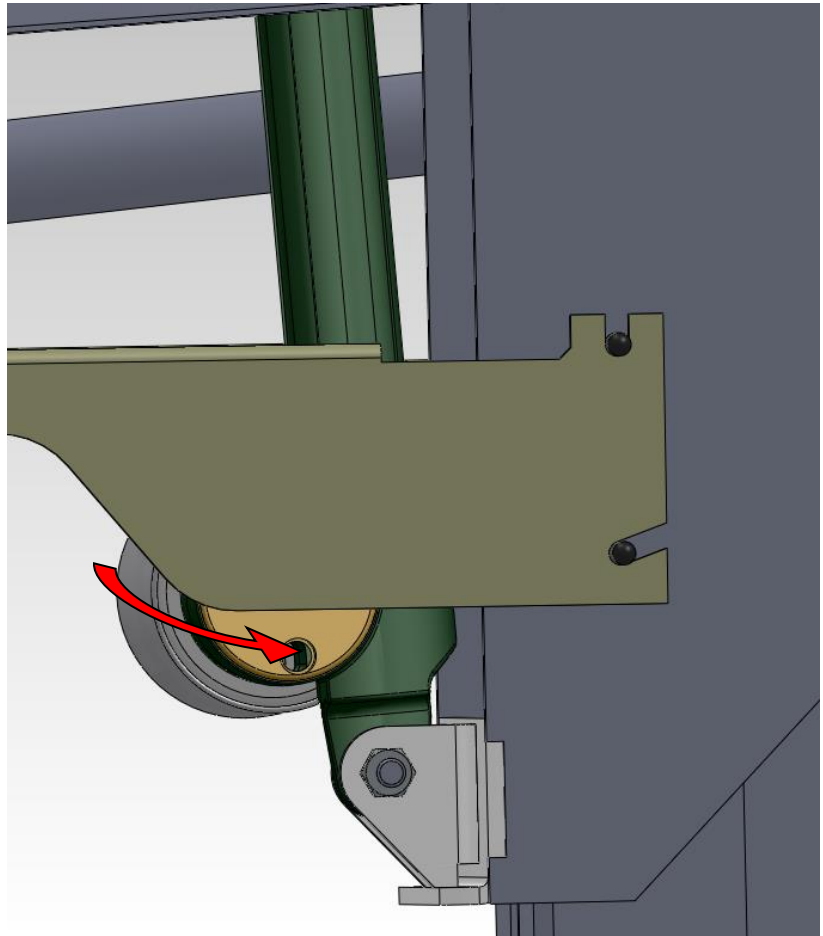
- 2) Position slots in bracket to line up with studs in column shroud. Start this by sliding the upper stud into the upper slot at an upward angle as shown to the right.



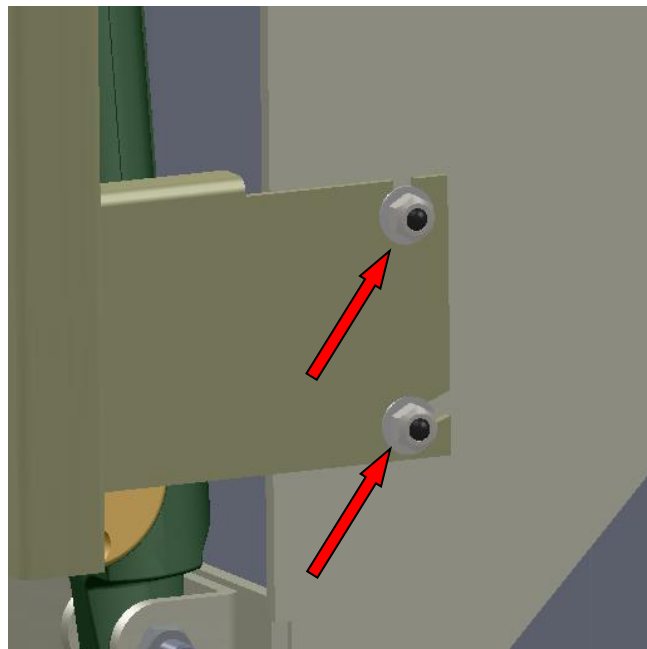
Ensure that studs on opposite side are also securely sliding into slots for proper assembly



- 3) Once upper stud is located in the slot rotate entire accessory downward to allow lower stud to slide into lower angled slot.

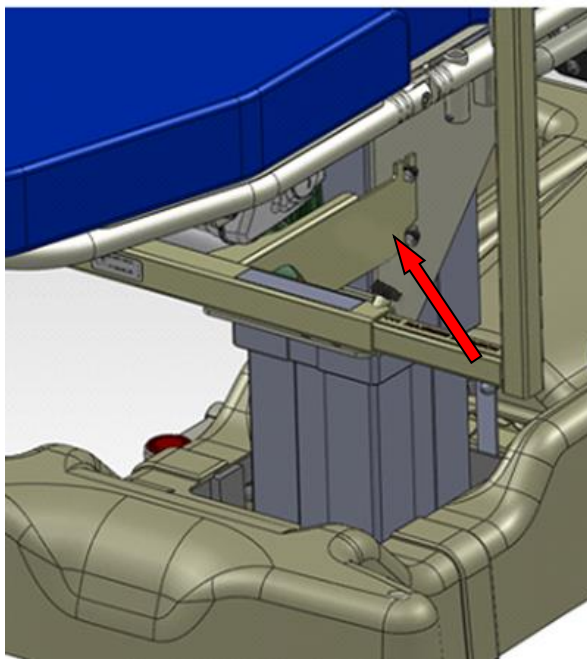


- 4) Place washer on each stud then hand tighten nuts



5) Make final adjustments to ensure IV Pole holder is level and secured properly. Use 7/16" wrench to tighten all four nuts.

6) Insert extension arm into lower bracket on desired side of chair. Set extension arm to desired width, making sure not to exceed maximum extension as directed by warning sticker and tighten knob to lock into position.

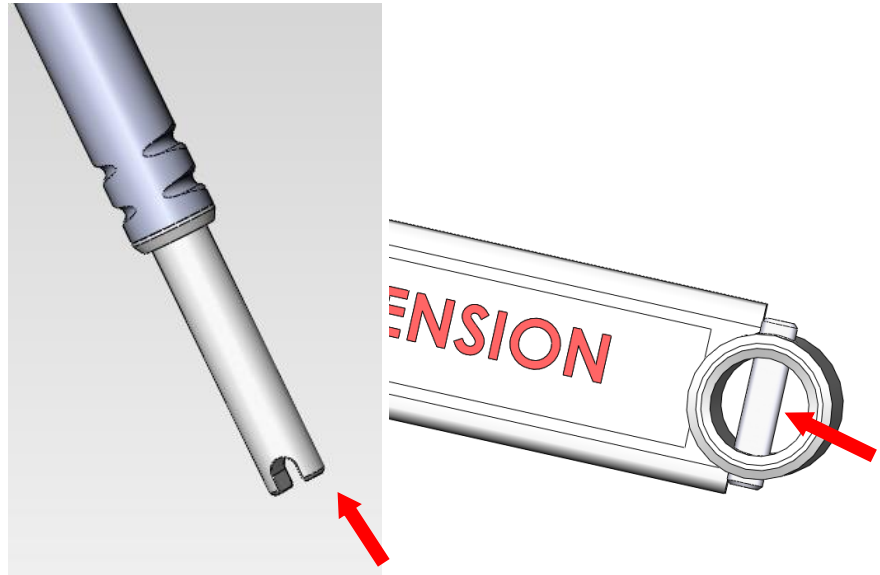


## INSTALLING IV ROD

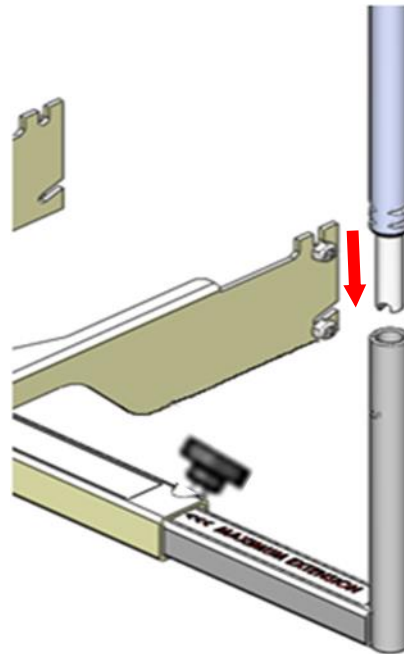
- 1) Align slot on end of rod so that it mates with locating pin in tube.

**⚠ WARNING**

IV Rod should only be installed by trained medical personnel. If IV rod is installed incorrectly, property damage, personnel or patient injury could result.



- 2) Insert end of rod into mounting hole in tube.

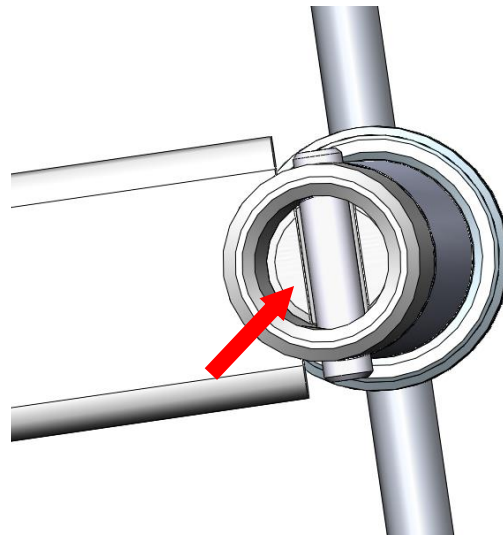
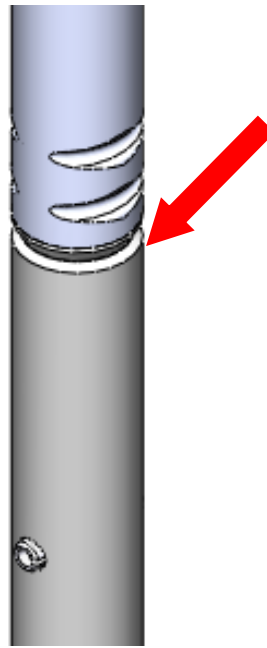




- 3) Ensure rod is seated securely and is lined up with locating pin correctly. If lined up correctly, the IV rod should have little side to side movement.

**WARNING**

Failure to install correctly may cause accessory malfunction that could result in property damage or injury.



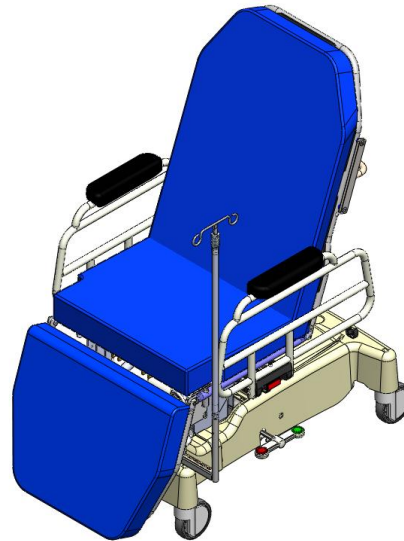
- 4) When accessory is fully installed, chair should appear as shown.

**CAUTION**

IV Pole moves up and down with chair. To avoid potential injury to patient, ensure IV cord does not get pulled or tangled while changing chair position.

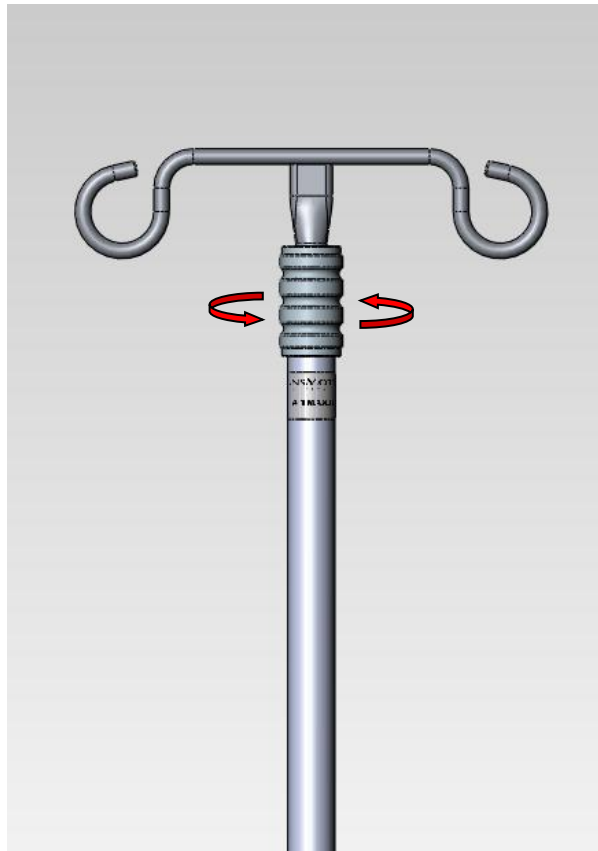
**CAUTION**

Accessory location could inhibit patient's ability to enter and exit the chair from the side. Have patient use opposite side of chair for ingress/egress if possible.

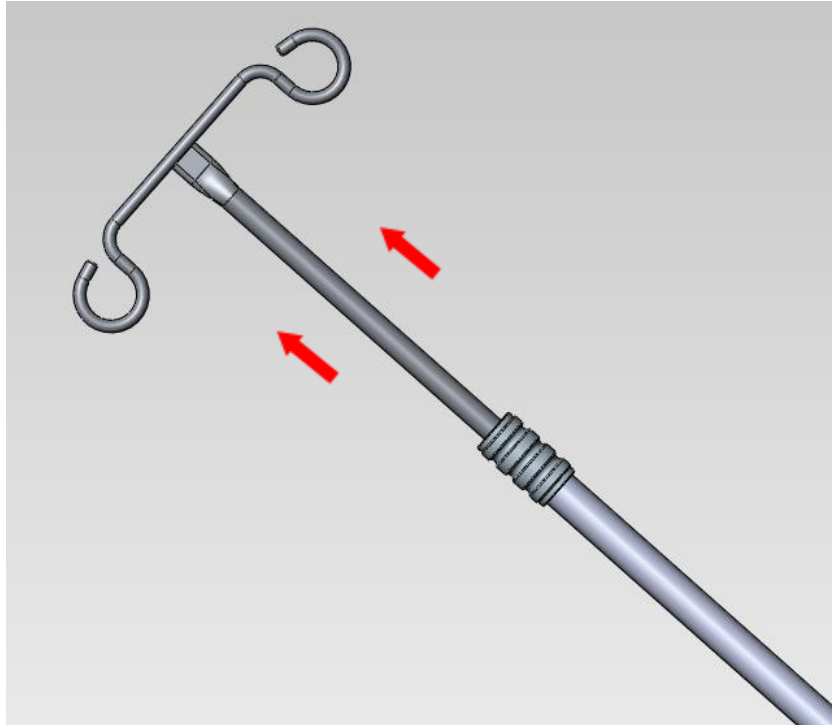


## ADJUSTING IV ROD

- 1) Rotate locking collar counter clockwise to free rod.



- 2) Extend rod to desired length.



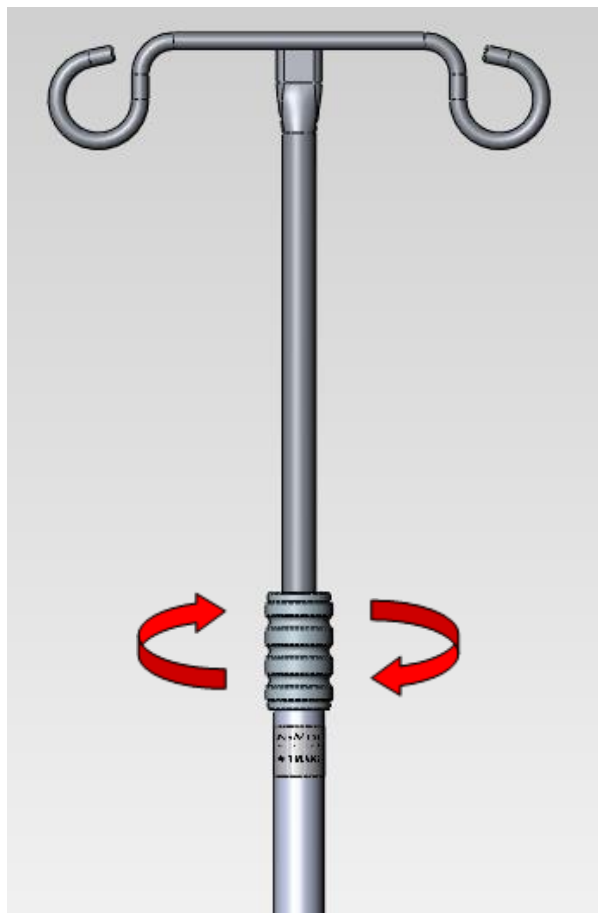
- 3) Rotate locking collar clockwise to secure rod in place.

**WARNING**

Ensure locking collar is secured tightly to prevent failure of locking mechanism. Failure to do so could result in serious injury.

**WARNING**

Do not hang more than 20 pounds on IV pole. Doing so could result in device failure and possible injury.



## CAUTIONARY USAGE INSTRUCTIONS

When using this accessory, please follow these cautionary usage instructions:

**CAUTION** TO PREVENT PERSONAL INJURY TO MEDICAL PERSONNEL AND / OR PATIENT, ENSURE IV ROD IS PROPERLY INSTALLED AND SECURELY ENGAGED PRIOR TO TRANSPORTING PATIENT / CHAIR, AND PRIOR TO USE OF IV SYSTEM.

**CAUTION** IV ROD DOES NOT “LOCK” IN POSITION AND IS ONLY HELD IN PLACE BY GRAVITY.

## CLEANING INSTRUCTIONS

**CAUTION** STEAM AND/OR PRESSURE CLEANING CHAIR WILL VOID WARRANTY

COMPONENT	FREQUENCY	PROCEDURE	CLEANING AGENT *	COMMENT
All Rails and Painted Metal	As required/in accordance with facility policies	Wipe with damp cloth and allow to air dry	Facility approved detergents, disinfectants & water	Check for chipped paint/chrome
Base Cover	As required/in accordance with facility policies	Wipe with damp cloth and allow to air dry	Facility approved detergents, disinfectants & water	Check for peeling or missing labels
Actuators and Battery Pack	As required/in accordance with facility policies	Wipe with damp cloth and allow to air dry	Facility approved detergents, disinfectants & water	Clean exterior surfaces only with minimal water
Pendants	As required/in accordance with facility policies	Wipe with damp cloth and allow to air dry	Facility approved detergents, disinfectants & water	Clean exterior surfaces only with minimal water
All Other Surfaces	As required/in accordance with facility policies	Wipe with damp cloth and allow to air dry	Facility approved detergents, disinfectants & water	Check for damage
TransMotion Medical Accessories	As required/in accordance with facility policies	Wipe with damp cloth and allow to air dry	Facility approved detergents, disinfectants & water	Check for damage
3rd Party Accessories	As required/in accordance with facility policies	Consult manual provided by accessory manufacturer.		

\* Use of Facility approved detergents and disinfectants must comply with the instructions provided by the manufacturer(s) of those products.

## Upholstery Care & Cleaning Instructions

Proper care is essential in ensuring the durability and reliability of TransMotion Medical upholstery. In general, all products should be:

1. Cleaned
2. Disinfected (in accordance with facility policy)
3. Rinsed
4. Allowed to air dry

It is important to note that the terms “disinfecting” and “cleaning” should not be used interchangeably. Disinfectants alone will not provide adequate cleaning since they do not have the appropriate properties to cut grease or oil and remove grime, hair or skin oils. The appearance, feel and performance of your upholstery may diminish if not cleaned properly.

### Cleaning:

Remove hair, grime and body oils. Your upholstery should be cleaned on a regular basis with a damp cloth soaked in a mild soap and water solution. Avoid harsh detergents or chemicals that could damage the finish of your product. If disinfecting with manufacturer approved chemicals or bleach, the upholstery MUST be wiped off using clean water on a damp cloth and allowed to air-dry as a final step. Failure to rinse upholstery with clean water can result in a build-up of residues that, over time, may lead to drying, cracking or other undesirable changes to appearance, feel and performance.

Retain all instructional tags for future use.

Contact the manufacturer of the fabric used in your upholstery for a current list of approved disinfectants. TransMotion Medical Customer Care can assist with identifying which upholstery was used with your Stretcher-Chair.

For customer supplied and non-standard materials, please refer to the individual manufacturer’s cleaning instructions.

## PREVENTIVE MAINTENANCE

---

To ensure proper operation, this accessory should be inspected and maintained as described below.

COMPONENT	FREQUENCY	PROCEDURE	TOOL	COMMENT
Locking Mechanism	Every three months	Inspect locking mechanism for proper tightening capability.	-	Replace IV rod as needed.
Lower Bracket	Every three months	Inspect mounting hardware.	7/16” wrench	Tighten mounting hardware as required.

## SERVICE INFORMATION

---

Customer service and support are important aspects of each TransMotion Medical product.

Prior to contacting TransMotion Medical for assistance with your accessory, please **HAVE YOUR CHAIR'S SERIAL NUMBER HANDY.**

Contact TransMotion Medical Service at:

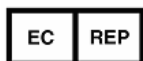
TransMotion Medical  
ATTN: Customer Service  
5516 S.W. 1<sup>st</sup> Lane  
Ocala, FL 34474  
United States of America

Phone: 1-800-237-3377  
1-352-854-2929

Fax: 1-352-854-9544



Manufacturer of Device:  
TransMotion Medical  
5516 S.W. 1<sup>st</sup> Lane  
Ocala, FL 34474  
United States of America



Authorized Representative in Europe:  
Emergo Europe  
Molenstraat 15  
2513 BH, The Hague  
The Netherlands