

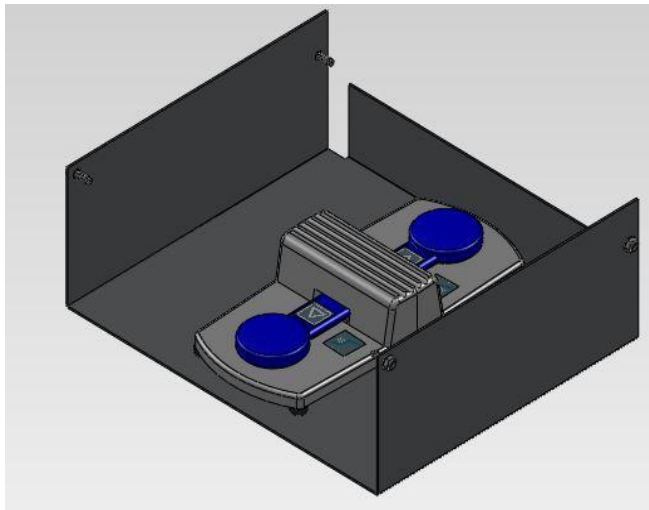


Field Installation and Usage Instructions

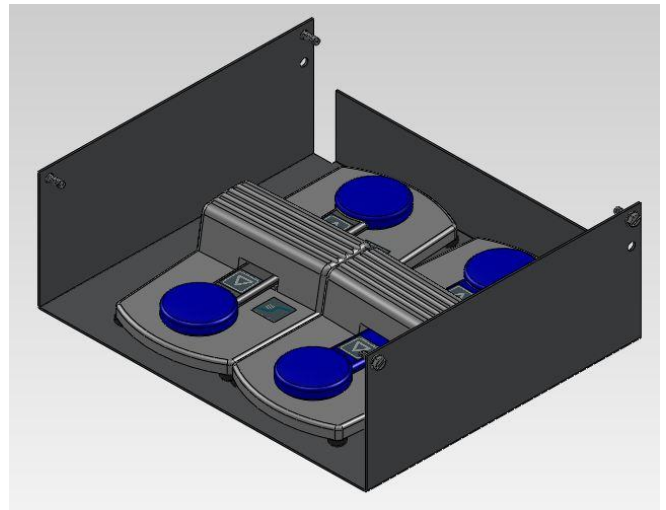
Part No. TMA(21,22,136)-15 VCU
Single, Dual, and Triple Foot Pedal Control

For TMM4 and TMM5 Series Chairs with VCU Control Box

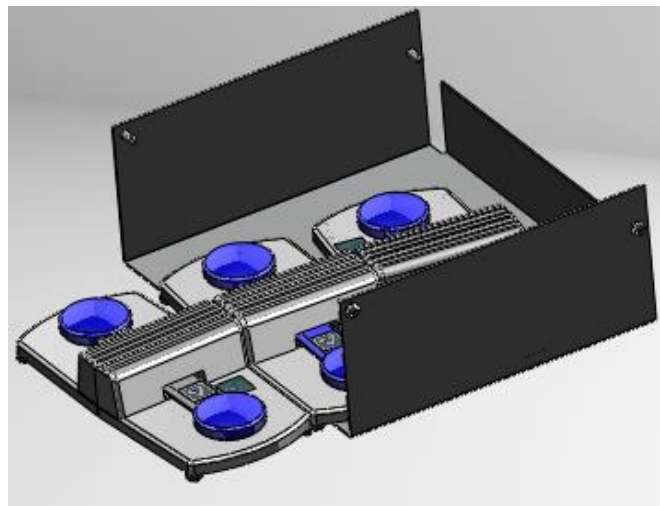
TMA21-15



TMA22-15



TMA136-15



5516 S.W. 1st Lane – Ocala, FL 34474-9307
Phone: 1-800-237-3377 - Fax: 1-352-854-9544
www.transmotionmedical.com

Document No.: IM TMA(21,22,136)-15
Revision: D

TABLE OF CONTENTS

IMPORTANT NOTES ABOUT THIS MANUAL.....	3
SPECIAL NOTES - SIGNAL WORDS.....	3
TOOLS REQUIRED.....	4
PARTS INCLUDED FOR TMA(21,22,136)-15.....	4
PREPARING CHAIR FOR FOOT PEDAL INSTALLATION.....	4
INSTALLING FOOT PEDAL CONTROLS.....	5
CAUTIONARY USAGE INSTRUCTIONS.....	8
PREVENTIVE MAINTENANCE.....	8
CLEANING INSTRUCTIONS.....	9

IMPORTANT NOTES ABOUT THIS MANUAL

This Field Installation and Usage Instruction manual is intended to assist you with installation of your TransMotion Medical Product. Carefully read this manual before using the equipment or doing service / maintenance on it. If you are unable to understand the WARNINGS, CAUTIONS, and instructions, contact TransMotion Medical Customer Service before attempting to operate or service the equipment. Otherwise, personal injury or property damage may result.

To ensure safe operation of this device, it is essential that methods and procedures be established for educating and training staff on the safe and effective operation of the product.

TransMotion Medical reserves the right to change specifications without notice.

The information contained in this document is subject to change without notice.

Specifications listed are nominal, and operation may vary slightly from unit to unit due to tolerance variations.

Figures contained within this document may not depict exactly the model you have. This document may cover many closely related models.

SPECIAL NOTES - SIGNAL WORDS

Signal words are used in this manual and apply to hazards which could result in injury or property damage. The following is a definition of those signal words as used in this document:

DANGER

Indicates an imminently hazardous situation which, if not avoided, will result in death or serious injury.

WARNING

Indicates a potentially hazardous situation which, if not avoided, could result in death or serious injury.

CAUTION

Indicates a potentially hazardous situation which, if not avoided, may result in minor or moderate injury. It may also be used to alert against unsafe practices or potential property damage hazards.

NOTICE

Provides important information, makes special instructions clearer, or provides service personnel information to make maintenance easier.

TOOLS REQUIRED

Power drill
#19 (0.166" diameter) drill bit
5/16" wrench or socket
Flat Screwdriver
Marking device

PARTS INCLUDED FOR TMA(21,22,136)-15 VCU

Foot Pedal control is shipped partially assembled and requires additional assembly.

Parts List:

- (4) 10-32 Self tapping screws
- (1) Storage Tray
- (1) Foot Pedal Control
- Cable ties

If any features missing or damaged due to shipping, contact TMM Service Department toll-free at 1-800-237-3377.

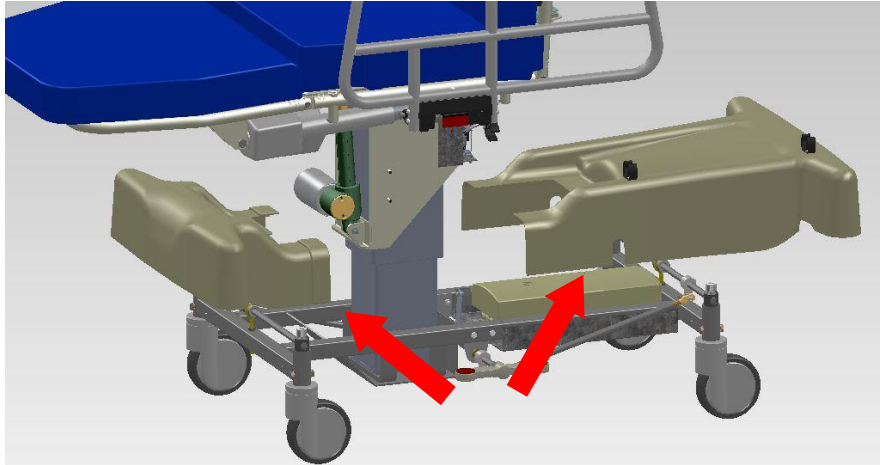
PREPARING CHAIR FOR FOOT PEDAL INSTALLATION

- 1) Side rails should be locked in the up position.
- 2) Raise Chair to highest height.
- 3) Raise leg section to supine position.

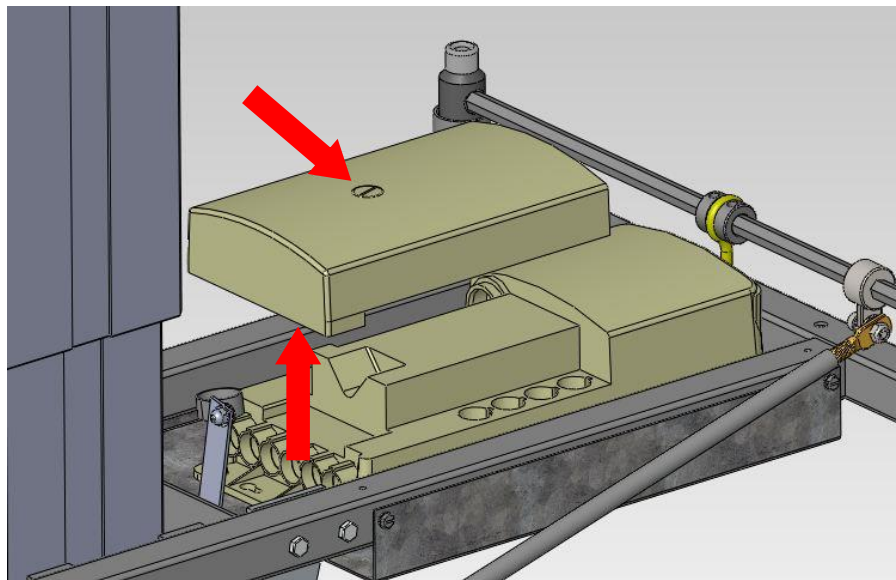


INSTALLING FOOT PEDAL CONTROLS

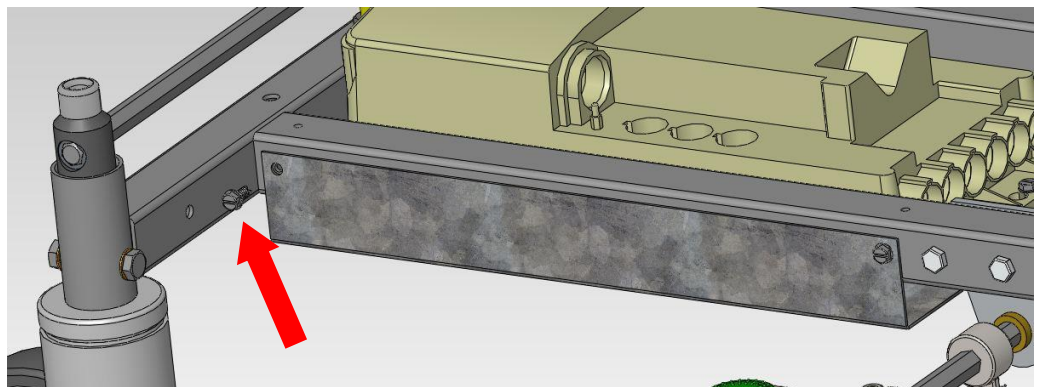
1) Remove plastic covers



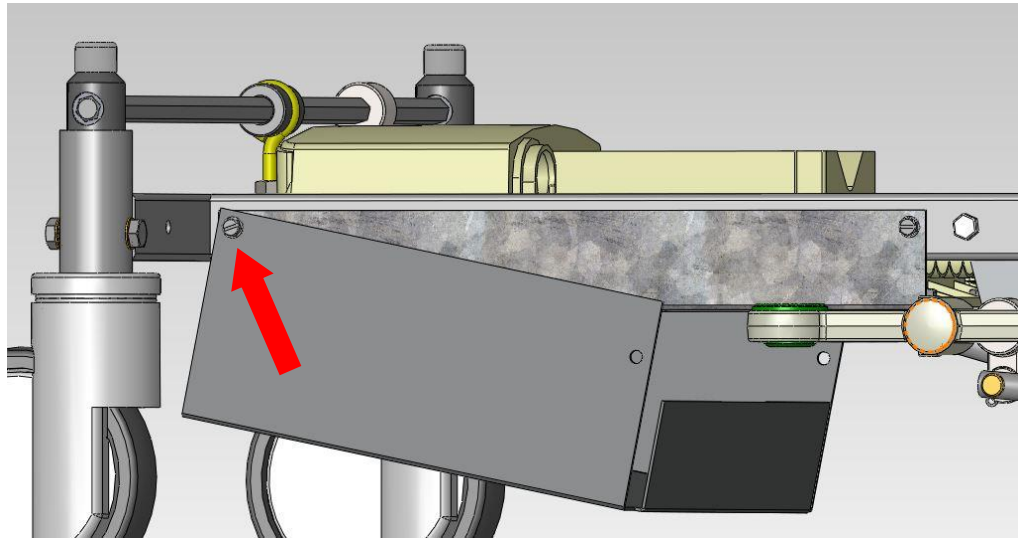
2) Remove control box cover by rotating the latch $\frac{1}{4}$ turn to the unlock position with a flat screw driver.



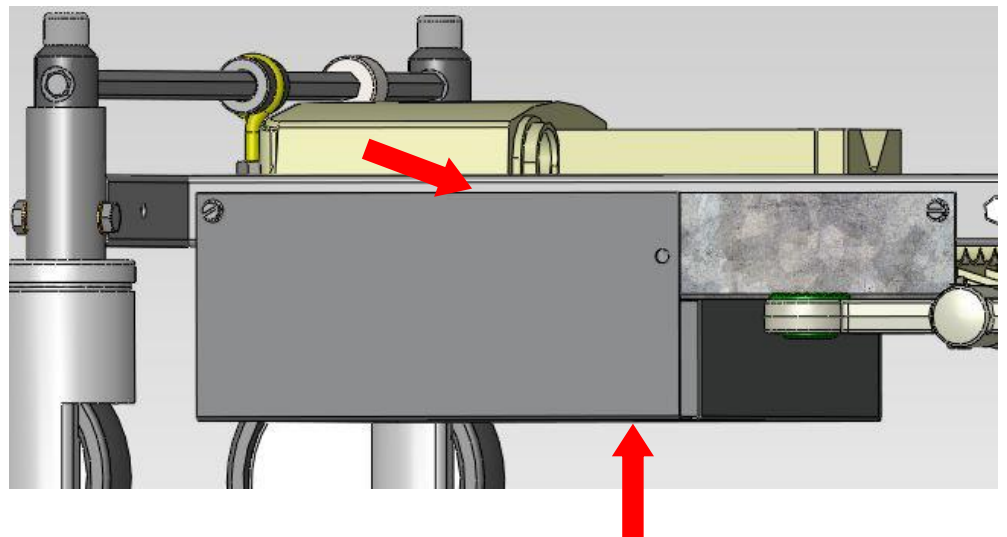
3) Locate and remove (2) screws at rear of the control box mounting plate. Remove both screws on left and right side of chair.



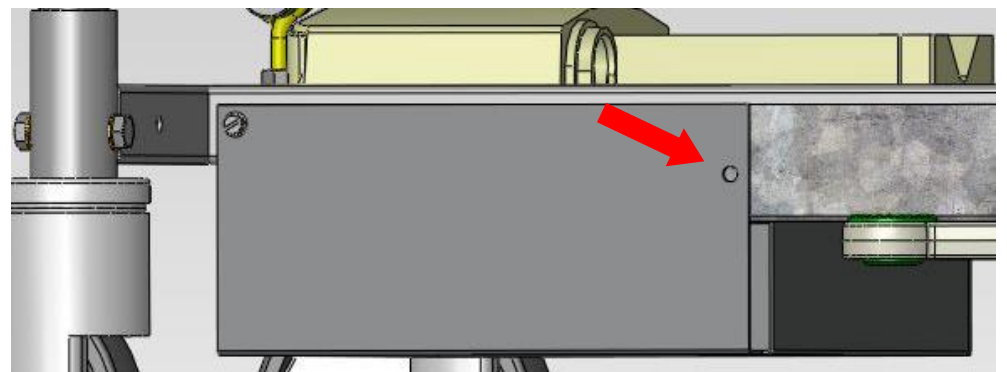
- 4) Mount (2) rear bolts in Foot Pedal storage tray to the frame. Leaving front of tray hanging.



- 5) Rotate front of storage tray up into position so top edge of tray is parallel with the frame.

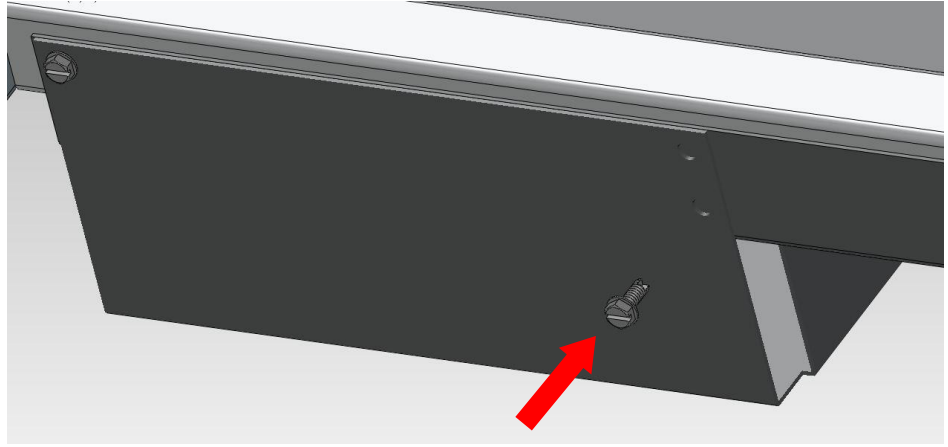


- 6) Mark the control box mounting plate through the holes in the foot pedal storage tray.

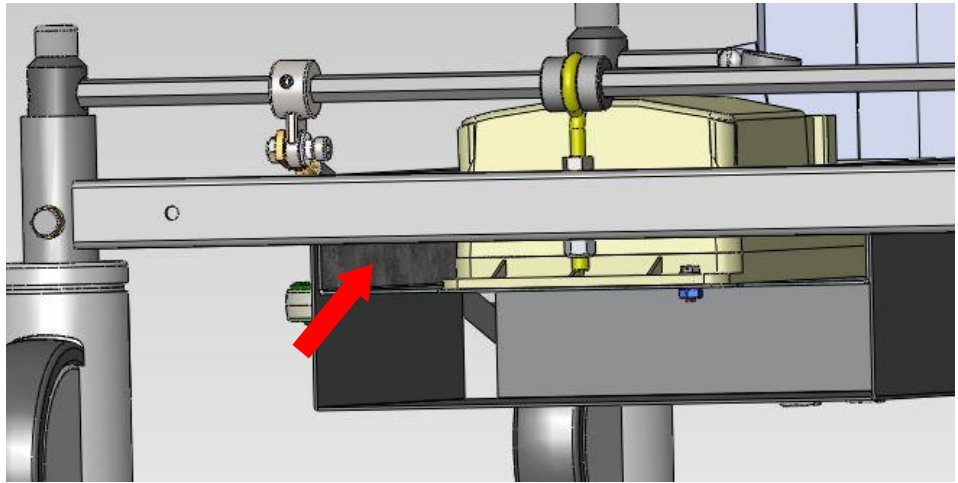


- 7) Swing storage tray back down and drill (2) .166" diameter holes at marked locations.

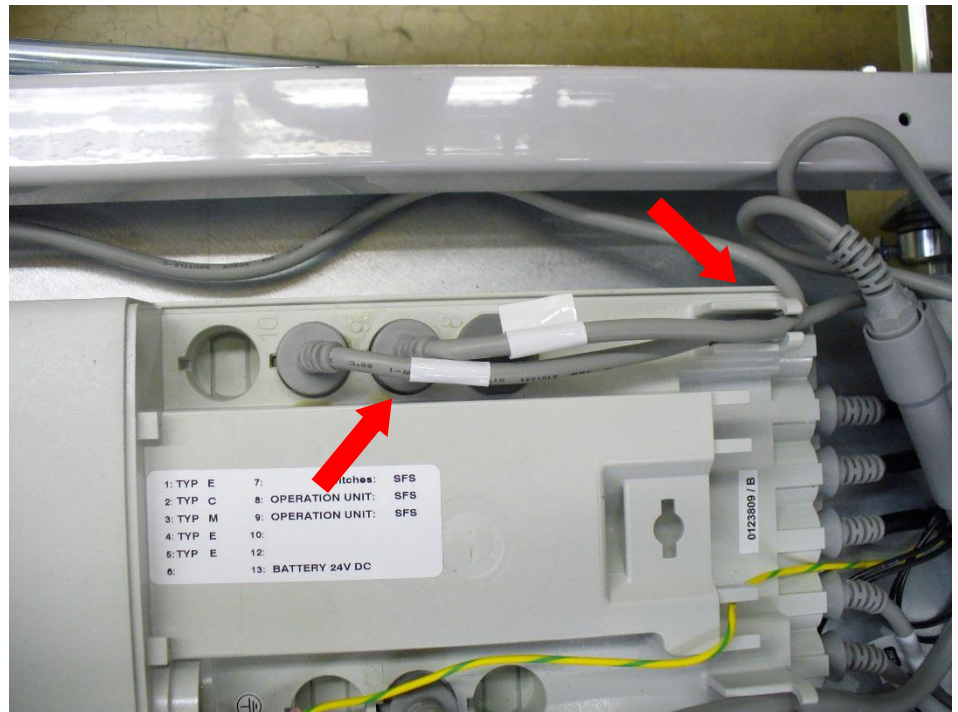
- 8) Swing storage tray back up aligning newly drilled holes with mounting holes in tray. Thread in (2) self-tapping screws.



- 9) Route the Foot Pedal cable between the control box mounting plate and the chair frame. Secure cable to frame using a cable tie.



- 10) Plug Foot Pedal cable into port #8 in the control box and secure cable in control box as shown.



- 11) Route junction cable along with the foot pedal cable.

- 12) Check functionality of foot pedal control.
- 13) Place Foot Pedal in storage tray at rear of chair.
- 14) Replace plastic covers.

CAUTIONARY USAGE INSTRUCTIONS

When using this accessory, please follow these cautionary usage instructions:

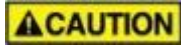
⚠ CAUTION FOOT PEDAL CONTROL DOES NOT “LOCK” IN POSITION IN THE STORAGE TRAY AND IS ONLY HELD IN PLACE BY GRAVITY. EXTREME CHAIR MOVEMENTS COULD CAUSE UNIT TO DISLodge FROM STORAGE TRAY CAUSING INADVERTENT MOVEMENT OF STRETCHER / CHAIR OR DAMAGE TO UNIT.

PREVENTIVE MAINTENANCE

To ensure proper operation, this accessory should be inspected and maintained as described below.

COMPONENT	FREQUENCY	PROCEDURE	TOOL	COMMENT
Hardware	Every 6 months	Inspect hardware for proper tension	7/16" wrench	Tight screws as required.
Foot Pedal Cord	Every 6 months	Inspect cord for nicks / tears	-	Replace cord as required.

CLEANING INSTRUCTIONS



STEAM AND/OR PRESSURE CLEANING CHAIR WILL VOID WARRANTY

COMPONENT	FREQUENCY	PROCEDURE	CLEANING AGENT *	COMMENT
All Rails and Painted Metal	As required/in accordance with facility policies	Wipe with damp cloth and allow to air dry	Facility approved detergents, disinfectants & water	Check for chipped paint/chrome
Base Cover	As required/in accordance with facility policies	Wipe with damp cloth and allow to air dry	Facility approved detergents, disinfectants & water	Check for peeling or missing labels
Actuators and Battery Pack	As required/in accordance with facility policies	Wipe with damp cloth and allow to air dry	Facility approved detergents, disinfectants & water	Clean exterior surfaces only with minimal water
Pendants	As required/in accordance with facility policies	Wipe with damp cloth and allow to air dry	Facility approved detergents, disinfectants & water	Clean exterior surfaces only with minimal water
All Other Surfaces	As required/in accordance with facility policies	Wipe with damp cloth and allow to air dry	Facility approved detergents, disinfectants & water	Check for damage
TransMotion Medical Accessories	As required/in accordance with facility policies	Wipe with damp cloth and allow to air dry	Facility approved detergents, disinfectants & water	Check for damage
3rd Party Accessories	As required/in accordance with facility policies	Consult manual provided by accessory manufacturer.		

* Use of Facility approved detergents and disinfectants must comply with the instructions provided by the manufacturer(s) of those products.

Upholstery Care & Cleaning Instructions

Proper care is essential in ensuring the durability and reliability of TransMotion Medical upholstery. In general, all products should be:

1. Cleaned
2. Disinfected (in accordance with facility policy)
3. Rinsed
4. Allowed to air dry

It is important to note that the terms “disinfecting” and “cleaning” should not be used interchangeably. Disinfectants alone will not provide adequate cleaning since they do not have the appropriate properties to cut grease or oil and remove grime, hair or skin oils. The appearance, feel and performance of your upholstery may diminish if not cleaned properly.

Cleaning:

Remove hair, grime and body oils. Your upholstery should be cleaned on a regular basis with a damp cloth soaked in a mild soap and water solution. Avoid harsh detergents or chemicals that could damage the finish of your product. If disinfecting with manufacturer approved chemicals or bleach, the upholstery MUST be wiped off using clean water on a damp cloth and allowed to air-dry as a final step. Failure to rinse upholstery with clean water can result in a build-up of residues that, over time, may lead to drying, cracking or other undesirable changes to appearance, feel and performance.

Retain all instructional tags for future use.

Contact the manufacturer of the fabric used in your upholstery for a current list of approved disinfectants. TransMotion Medical Customer Care can assist with identifying which upholstery was used with your Stretcher-Chair.

For customer supplied and non-standard materials, please refer to the individual manufacturer’s cleaning instructions.