



# Field Installation and Usage Instructions

**Part No. TMA97-15**

**TMM5 Head Strap & Cover Assembly**

*For All Model TMM5 Chairs*



5516 S.W. 1st Lane – Ocala, FL 34474-9307  
Phone: 1-800-237-3377 - Fax: 1-352-854-9544  
[www.transmotionmedical.com](http://www.transmotionmedical.com)

Document No.: IM TMA97-15  
Revision: B

# TABLE OF CONTENTS

IMPORTANT NOTES ABOUT THIS MANUAL.....	3
SPECIAL NOTES - SIGNAL WORDS .....	3
TOOLS REQUIRED.....	4
PARTS INCLUDED IN TMA97-15 KIT.....	4
PREPARING THE HEADREST FOR TMM5 HEAD STRAP & COVER ASSEMBLY .....	4
INSTALLING THE TMM5 HEAD STRAP & COVER ASSEMBLY .....	6
USING HEAD STRAP ASSEMBLY .....	6

## IMPORTANT NOTES ABOUT THIS MANUAL

---

This Field Installation and Usage Instruction document is designed to assist you with installation of the TransMotion Medical product. Carefully read this document thoroughly before using the equipment or doing service/maintenance on it. If you are unable to understand the WARNINGS and CAUTIONS and instructions, contact TransMotion Medical customer service before attempting to operate or service the equipment, otherwise, injury or damage may result.

To assure safe operation of this device, it is essential that methods and procedures be established for educating and training staff on the safe and effective operation of the product.

TransMotion Medical reserves the right to change specifications without notice.

The information contained in this document is subject to change without notice.

Specifications listed are nominal and may vary slightly from unit to unit due to tolerance variations.

Photographs and illustrations contained within this document may not depict exactly the model you have. This document can cover many closely related models.

## SPECIAL NOTES - SIGNAL WORDS

---

Signal words are used in this manual and apply to hazards which could result in injury or property damage. The following is a definition of those signal words as used in this document:



Indicates an imminently hazardous situation which, if not avoided, will result in death or serious injury.



Indicates a potentially hazardous situation which, if not avoided, could result in death or serious injury.



Indicates a potentially hazardous situation which, if not avoided, may result in minor or moderate injury. It may also be used to alert against unsafe practices or potential property damage hazards.



Provides important information, makes special instructions clearer, or provides service personnel information to make maintenance easier.

## TOOLS REQUIRED

The tools needed to install the TMM5 Head Strap and Cover Assembly are as follows:  
5/32" Allen Wrench

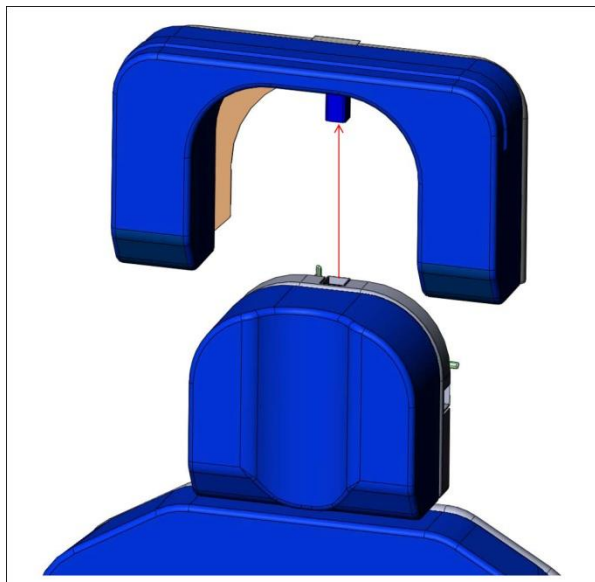
## PARTS INCLUDED IN TMA97-15 KIT

Verify that you have all the parts listed. If not, contact TMM Service at 1-800-237-3377.

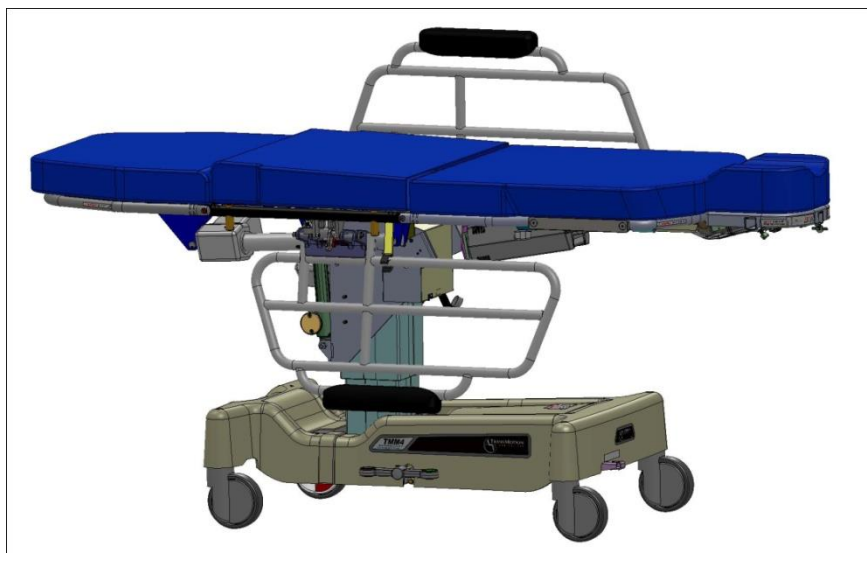
- (1) Head Strap Cover Assembly
- (2) Velcro Strips

## PREPARING THE HEADREST FOR TMM5 HEAD STRAP & COVER ASSEMBLY

With casters locked, remove head extension from TMM5 series chair.



If not already done, position back section in stretcher position and raise seat height to highest position.

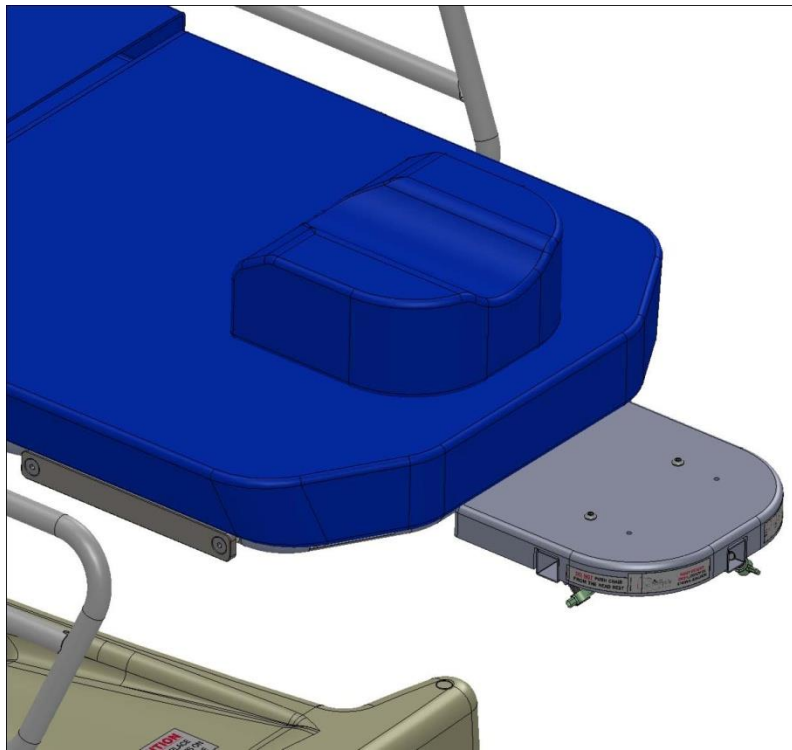


Pull off head cushion and place it on back cushion while working.



**NOTICE**

If necessary remove portion of Velcro strip to expose two screws used to attach plastic cover.



Remove two screws attaching the plastic cover.



**NOTICE**

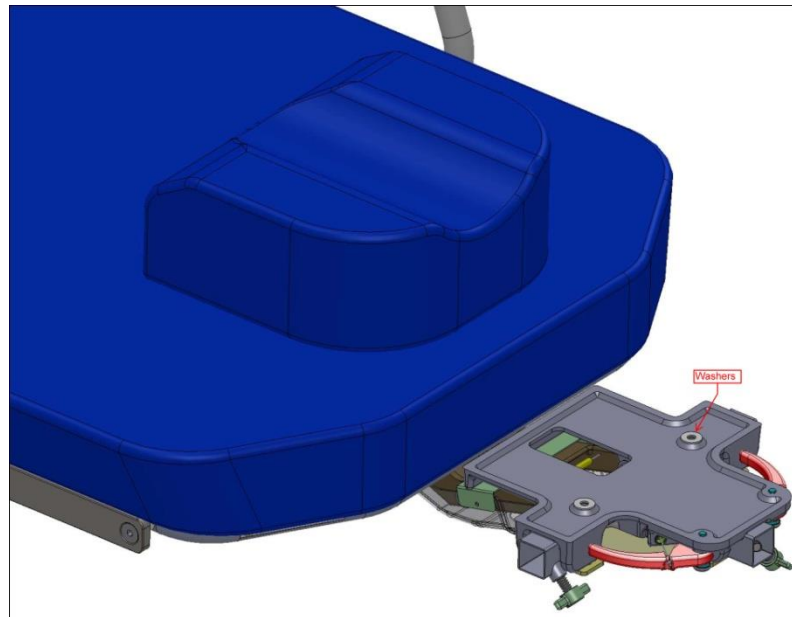
Do not discard screws. Screws will be used to attach TMA97-15 accessory.

Remove plastic cover.



**NOTICE**

Be careful to not lose washers under plastic cover.



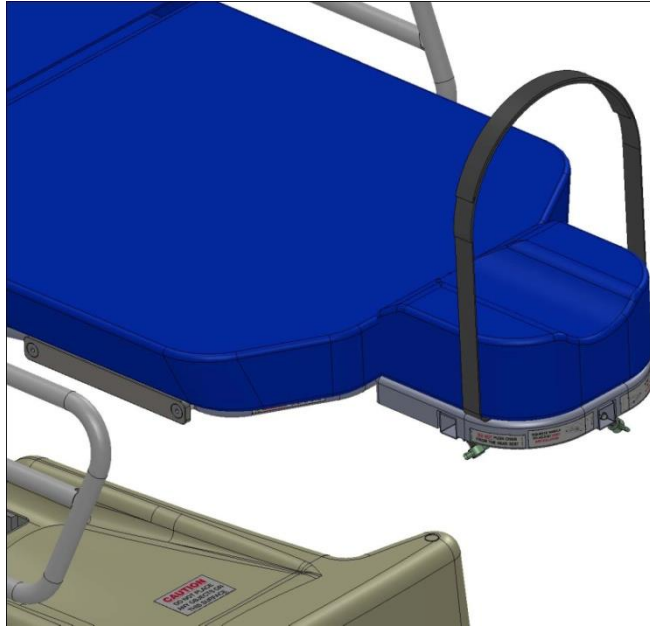
## INSTALLING THE TMM5 HEAD STRAP & COVER ASSEMBLY

For installation of TMA97-15 reverse the removal process.



### NOTICE

After installing TMA97-15 plastic cover, apply provided Velcro strips same as previous assembly.



## USING HEAD STRAP ASSEMBLY

Wrap strap around patient's head and hook Velcro straps together until head is secure.



If accessory is exposed to bodily substances, clean thoroughly to prevent spread of diseases.

# CLEANING INSTRUCTIONS

**⚠ CAUTION** STEAM AND/OR PRESSURE CLEANING CHAIR WILL VOID WARRANTY

COMPONENT	FREQUENCY	PROCEDURE	CLEANING AGENT *	COMMENT
All Rails and Painted Metal	As required/in accordance with facility policies	Wipe with damp cloth and allow to air dry	Facility approved detergents, disinfectants & water	Check for chipped paint/chrome
Base Cover	As required/in accordance with facility policies	Wipe with damp cloth and allow to air dry	Facility approved detergents, disinfectants & water	Check for peeling or missing labels
Actuators and Battery Pack	As required/in accordance with facility policies	Wipe with damp cloth and allow to air dry	Facility approved detergents, disinfectants & water	Clean exterior surfaces only with minimal water
Pendants	As required/in accordance with facility policies	Wipe with damp cloth and allow to air dry	Facility approved detergents, disinfectants & water	Clean exterior surfaces only with minimal water
All Other Surfaces	As required/in accordance with facility policies	Wipe with damp cloth and allow to air dry	Facility approved detergents, disinfectants & water	Check for damage
TransMotion Medical Accessories	As required/in accordance with facility policies	Wipe with damp cloth and allow to air dry	Facility approved detergents, disinfectants & water	Check for damage
3rd Party Accessories	As required/in accordance with facility policies	Consult manual provided by accessory manufacturer.		

\* Use of Facility approved detergents and disinfectants must comply with the instructions provided by the manufacturer(s) of those products.

## Upholstery Care & Cleaning Instructions

Proper care is essential in ensuring the durability and reliability of TransMotion Medical upholstery. In general, all products should be:

1. Cleaned
2. Disinfected (in accordance with facility policy)
3. Rinsed
4. Allowed to air dry

It is important to note that the terms “disinfecting” and “cleaning” should not be used interchangeably. Disinfectants alone will not provide adequate cleaning since they do not have the appropriate properties to cut grease or oil and remove grime, hair or skin oils. The appearance, feel and performance of your upholstery may diminish if not cleaned properly.

### Cleaning:

Remove hair, grime and body oils. Your upholstery should be cleaned on a regular basis with a damp cloth soaked in a mild soap and water solution. Avoid harsh detergents or chemicals that could damage the finish of your product. If disinfecting with manufacturer approved chemicals or bleach, the upholstery MUST be wiped off using clean water on a damp cloth and allowed to air-dry as a final step. Failure to rinse upholstery with clean water can result in a build-up of residues that, over time, may lead to drying, cracking or other undesirable changes to appearance, feel and performance.

Retain all instructional tags for future use.

Contact the manufacturer of the fabric used in your upholstery for a current list of approved disinfectants. TransMotion Medical Customer Care can assist with identifying which upholstery was used with your Stretcher-Chair.

For customer supplied and non-standard materials, please refer to the individual manufacturer’s cleaning instructions.