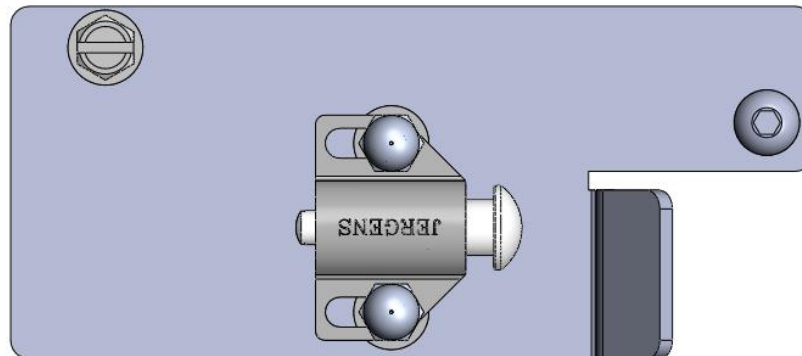
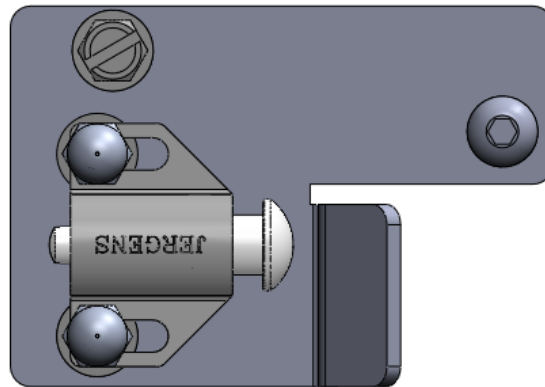




Field Installation and Usage Instructions

Part No. TMS-2327-90 and TMS-2360-90 (Standard and Wide) SPRING STOP KIT

For All Model TMM5 Chairs



5516 S.W. 1st Lane – Ocala, FL 34474-9307
Phone: 1-800-237-3377 - Fax: 1-352-854-9544
www.transmotionmedical.com

Document No.: IM TMS-(2327, 2360)-90
Revision: E

TABLE OF CONTENTS

TABLE OF CONTENTS.....	2
IMPORTANT NOTES ABOUT THIS MANUAL.....	3
SPECIAL NOTES - SIGNAL WORDS.....	3
TOOLS REQUIRED.....	4
PARTS INCLUDED IN KIT.....	4
INSTALLING SPRING STOP MECHANISM “B” SERIES.....	4
INSTALLING SPRING STOP MECHANISM “A” SERIES.....	6
SPRING STOP ADJUSTMENT.....	7
CAUTIONARY USAGE INSTRUCTIONS.....	8
CLEANING INSTRUCTIONS.....	8
PREVENTIVE MAINTENANCE.....	9

IMPORTANT NOTES ABOUT THIS MANUAL

This Field Installation and Usage Instruction document is designed to assist you with installation of the TransMotion Medical Product. Carefully read this document thoroughly before using the equipment or doing service/maintenance on it. If you are unable to understand the WARNINGS and CAUTIONS and instructions, contact TransMotion Medical customer service before attempting to operate or service the equipment otherwise injury or damage may result.

To assure safe operation of this device, it is essential that methods and procedures be established for educating and training staff on the safe and effective operation of the product.

TransMotion Medical reserves the right to change specifications without notice.

The information contained in this document is subject to change without notice.

Specifications listed are nominal and may vary slightly from unit to unit due to tolerance variations or power supply variations.

Photographs and illustrations contained within this document may not depict exactly the model you have. This document can cover many closely related models.

SPECIAL NOTES - SIGNAL WORDS

Signal words are used in this manual and apply to hazards which could result in injury or property damage. The following is a definition of those signal words as used in this document:

DANGER

Indicates an imminently hazardous situation which, if not avoided, will result in death or serious injury.

WARNING

Indicates a potentially hazardous situation which, if not avoided, could result in death or serious injury.

CAUTION

Indicates a potentially hazardous situation which, if not avoided, may result in minor or moderate injury. It may also be used to alert against unsafe practices or potential property damage hazards.

NOTICE

Provides important information, makes special instructions clearer, or provides service personnel information to make maintenance easier.

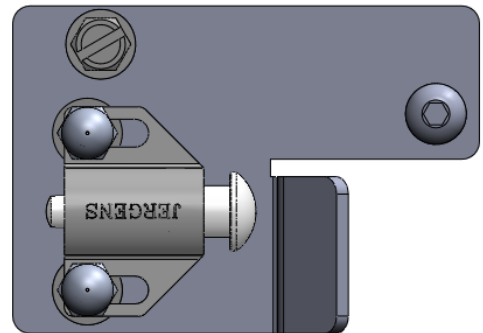
TOOLS REQUIRED

- (1) 5/32" Allen Wrench
- (1) Socket Wrench
- (1) 3/8" Socket
- (1) 3/8" Hex Wrench
- (1) Philips Head Screwdriver
- (1) Battery Powered Compact Driver (Optional)

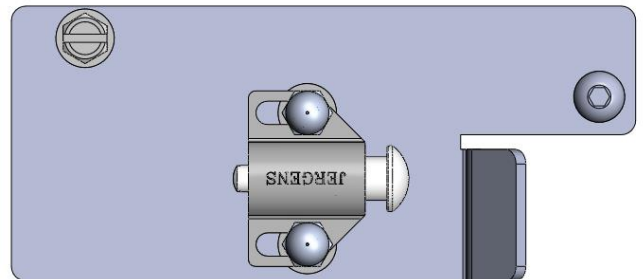
PARTS INCLUDED IN KIT

Verify that you have all the parts listed. If not, contact TMM Service at 1-800-237-3377.

- (1) Spring stop mechanism
- (1) Nylon spacer – Only needed for “B” series installation
- (1) 1/4"-20 self-tapping screw
- (1) 1/4"-20 button head screw – Only needed for “A” series installation

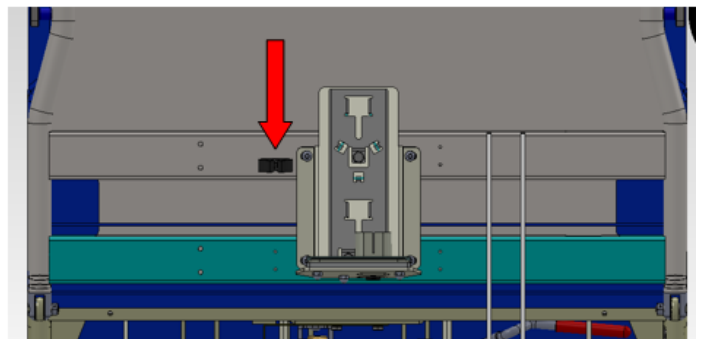


(or)

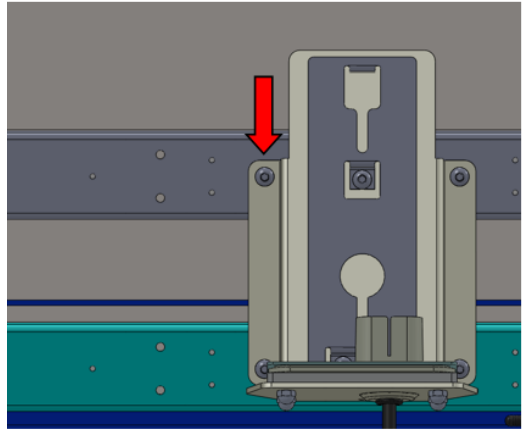


INSTALLING SPRING STOP MECHANISM “B” SERIES

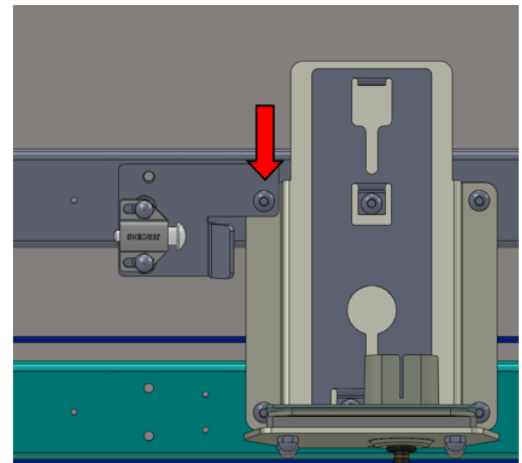
- 1) Remove broom clip that needs replaced using a Philips head screwdriver and discard.



- 2) Remove top-left button head screw from battery bracket using 5/32" Allen wrench.



- 3) Line up spring stop mechanism with battery bracket hole and reinstall button head screw that was previously removed.



- 4) Slide nylon spacer behind bracket, as shown. Install 1/4"-20 self-tapping screw using 3/8" socket and socket wrench.



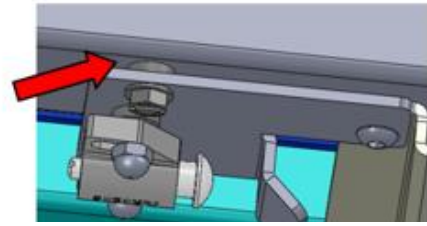
Self-tapping screw may be difficult to get started. If available, use a battery powered compact driver.



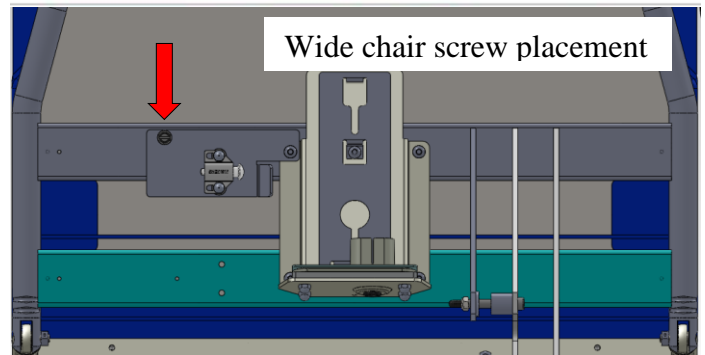
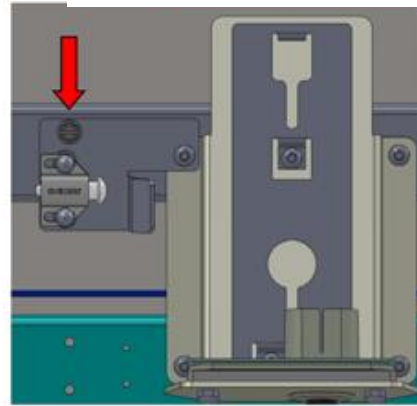
When installing the spring stop kit on a "B" series chair you will not use the 1/4"-20 button head screw included with the kit.

CAUTION

Failure to securely tighten both mounting screws will result in accessory not functioning properly.

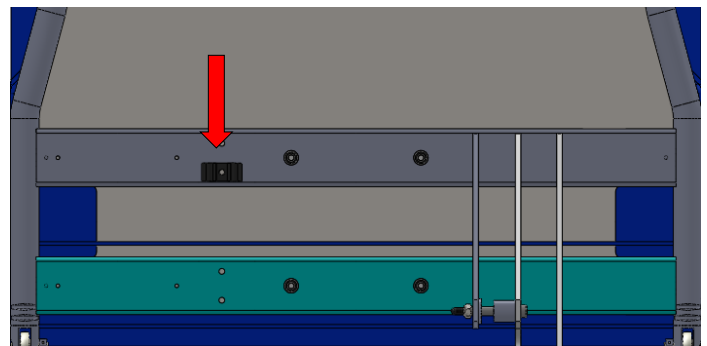


Standard width chair screw placement

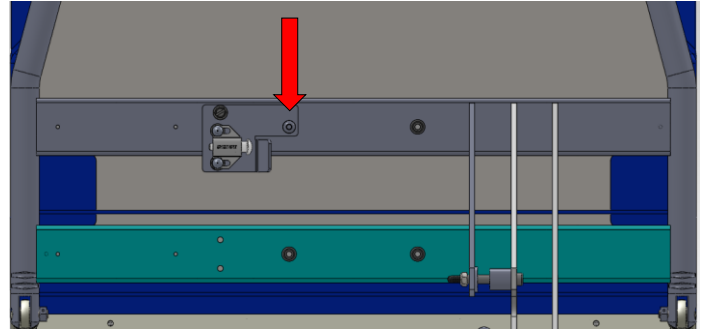


INSTALLING SPRING STOP MECHANISM "A" SERIES

- 1) Remove broom clip that needs replaced using a Philips head screwdriver and discard.



- 2) Line up spring stop mechanism with upper left threaded hole and install button head screw.



- 3) Install 1/4-20 self-tapping screw using 3/8" socket and socket wrench.



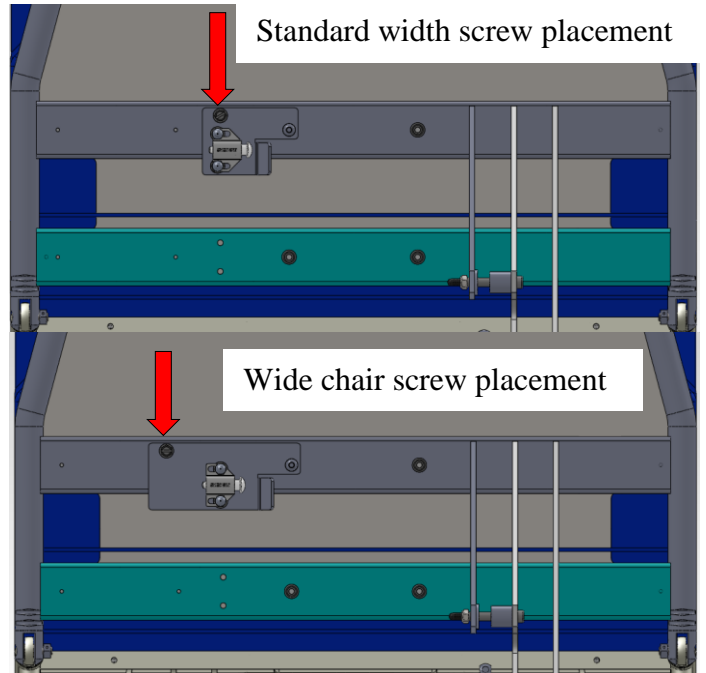
Self-tapping screw may be difficult to get started. If available, use a battery powered compact driver.



When installing the spring stop kit on an "A" series chair you will not use the nylon spacer included with the kit.



Failure to securely tighten both mounting screws will result in accessory not functioning properly.

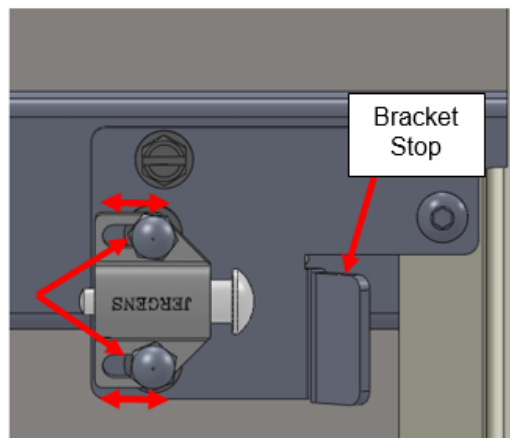


SPRING STOP ADJUSTMENT

If the spring stop feels too tight or too loose when the support leg is retained, adjust its location. This can be done by loosening the #10-24 acorn nuts using a 3/8" hex wrench and adjusting the spring stops distance from the bracket stop. Once positioned as desired, tighten nuts securely.



Line up spring stop so it is parallel to the edge of the bracket.



CAUTIONARY USAGE INSTRUCTIONS

When using this accessory, please follow these cautionary usage instructions:

CAUTION BE SURE TO COLLAPSE AND LOCK THE SURIGAL SUPPORT LEG INTO SPRING STOP MECHANISM WHEN NOT IN USE

CLEANING INSTRUCTIONS

CAUTION STEAM AND/OR PRESSURE CLEANING CHAIR WILL VOID WARRANTY

COMPONENT	FREQUENCY	PROCEDURE	CLEANING AGENT *	COMMENT
All Rails and Painted Metal	As required/in accordance with facility policies	Wipe with damp cloth and allow to air dry	Facility approved detergents, disinfectants & water	Check for chipped paint/chrome
Base Cover	As required/in accordance with facility policies	Wipe with damp cloth and allow to air dry	Facility approved detergents, disinfectants & water	Check for peeling or missing labels
Actuators and Battery Pack	As required/in accordance with facility policies	Wipe with damp cloth and allow to air dry	Facility approved detergents, disinfectants & water	Clean exterior surfaces only with minimal water
Pendants	As required/in accordance with facility policies	Wipe with damp cloth and allow to air dry	Facility approved detergents, disinfectants & water	Clean exterior surfaces only with minimal water
All Other Surfaces	As required/in accordance with facility policies	Wipe with damp cloth and allow to air dry	Facility approved detergents, disinfectants & water	Check for damage
TransMotion Medical Accessories	As required/in accordance with facility policies	Wipe with damp cloth and allow to air dry	Facility approved detergents, disinfectants & water	Check for damage
3rd Party Accessories	As required/in accordance with facility policies	Consult manual provided by accessory manufacturer.		

* Use of Facility approved detergents and disinfectants must comply with the instructions provided by the manufacturer(s) of those products.

Upholstery Care & Cleaning Instructions

Proper care is essential in ensuring the durability and reliability of TransMotion Medical upholstery. In general, all products should be:

1. Cleaned
2. Disinfected (in accordance with facility policy)
3. Rinsed
4. Allowed to air dry

It is important to note that the terms “disinfecting” and “cleaning” should not be used interchangeably. Disinfectants alone will not provide adequate cleaning since they do not have the appropriate properties to cut grease or oil and remove grime, hair or skin oils. The appearance, feel and performance of your upholstery may diminish if not cleaned properly.

Cleaning:

Remove hair, grime and body oils. Your upholstery should be cleaned on a regular basis with a damp cloth soaked in a mild soap and water solution. Avoid harsh detergents or chemicals that could damage the finish of your product. If disinfecting with manufacturer approved chemicals or bleach, the upholstery MUST be wiped off using clean water on a damp cloth and allowed to air-dry as a final step. Failure to rinse upholstery with clean water can result in a build-up of residues that, over time, may lead to drying, cracking or other undesirable changes to appearance, feel and performance.

Retain all instructional tags for future use.

Contact the manufacturer of the fabric used in your upholstery for a current list of approved disinfectants. TransMotion Medical Customer Care can assist with identifying which upholstery was used with your Stretcher-Chair.

For customer supplied and non-standard materials, please refer to the individual manufacturer’s cleaning instructions.

PREVENTIVE MAINTENANCE

To ensure proper operation, this service part should be inspected and maintained as described below.

COMPONENT	FREQUENCY	PROCEDURE	TOOL	COMMENT
Spring Stop Mechanism	Every three months	Inspect how secure the support leg is being retained by the spring stop and adjust spring stop’s location as required.	3/8” hex wrench	-