

5101

Golden Years Chair



CUSTOMER INSTRUCTIONS

PLEASE READ AND FAMILIARIZE YOURSELF WITH ALL INSTRUCTIONS BEFORE USING THIS PRODUCT. If you have trouble understanding these instructions contact your dealer or Winco customer support, (800) 237-3377 before attempting to use this product; otherwise injury may occur.

Winco assumes no responsibility for damage or injury caused by improper assembly, installation, use, or maintenance of these products.



1. READ AND FOLLOW ALL DIRECTIONS.
2. NEVER use tray as a restraint.
3. ALWAYS fold footplate up before user enters or exits the chair; otherwise INJURY MAY RESULT.
4. DO NOT stand on plastic footplate; INJURY MAY RESULT.
5. Keep users hands and feet clear of any moving parts. Attendant MUST confirm that users hands and feet are safe while adjusting positions on tray or footrest or INJURY MAY RESULT.
6. Never use the chair arms or tray as a seat; INJURY MAY OCCUR.
7. Lock casters at all times, except when transporting chair.
8. Chair must ALWAYS be positioned on a level surface.
9. DO NOT use chair for Transporting in or with ANY type of vehicle or trailer. Winco chairs have not been tested or approved for use by an occupant in any type of vehicle or trailer.
10. Immediately remove from service; Any chair with broken parts, torn upholstery, or other mechanical or visible damage.
11. Periodically, recheck tightness of all nuts, bolts and screws.
12. USE ONLY WINCO AUTHORIZED REPLACEMENT PARTS.
13. NEVER EXCEED the recommended **weight capacity of 275 lbs.** (124.7 kg).
14. SAVE THESE INSTRUCTIONS for future reference and training.

5101 Weight Capacity = 275 lbs. (124.7 kg.)

Tools needed:

- Slot-head screwdriver OR, 5/16" wrench (multiple size wrench included)
- Scissors or box cutter to aid in removal of packing material
- Always start hardware together by hand first - Use of powered tools not recommended

PLEASE READ AND FAMILIARIZE YOURSELF WITH ALL INSTRUCTIONS BEFORE PROCEEDING WITH ASSEMBLY

Install the Back:

1. After checking your product for any shipping damage, chair needs to be positioned upright on level surface. Remove all packing material and hardware that was secured for shipping. Cut tape and plastic with scissors, being careful not to damage upholstery.
2. Use a standard slot-head screwdriver or 5/16" wrench; Remove the (2) screws that have been pre-installed in the **Seat Frame Rails**. DO NOT discard screws.
3. To ease assembly, spray the **Seat Frame Rail** ends with WD-40 (or similar lubricant approved by your facility).

4. Slip the **Back Frame** over the **Seat Frame Rail** ends until the holes in **Back Frame** line up with the holes in the **Seat Frame Rails**.
5. Insert the (2) screws you removed in step 2, into the aligned holes of the **Back Frame** and **Seat Frame**.
6. Tighten these screws firmly. Failure to install these screws MAY RESULT IN SERIOUS INJURY.

Operation of the Tray

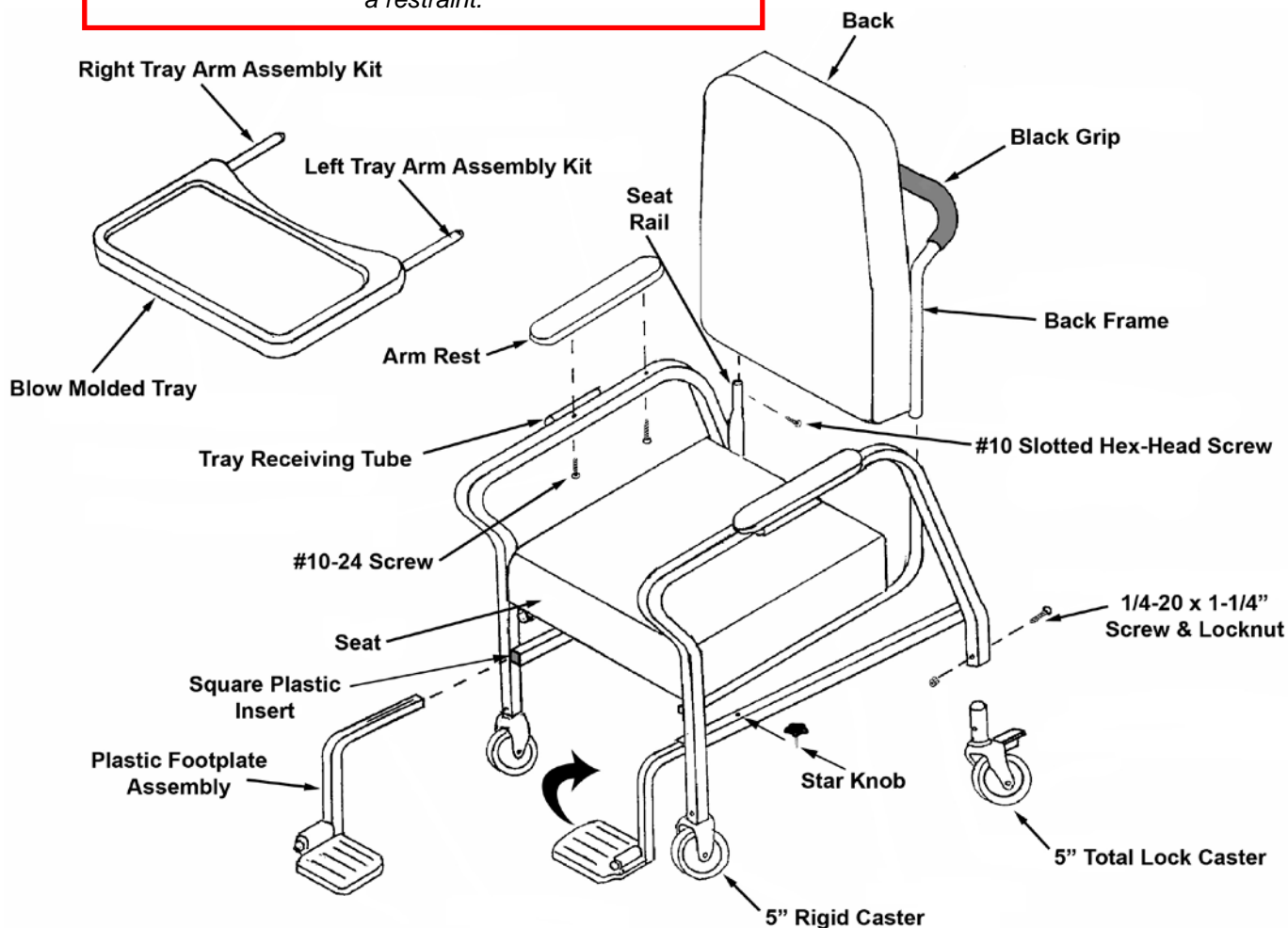
7. **Tray Arms** are inserted into the **Tray Receiving Tubes** (under Armrests on chair). The **Tray** automatically locks into the first position, depress the **Snap Button** (on Right Tray Arm) for 2 more positions.

NOTE: Left and right; As if you are seated in chair.

8. The **Right Tray Arm** is movable to compensate for minor variations in the width of the chair.
9. **Storing the Tray;** Insert the **LEFT** tray arm tube INTO the **RIGHT** tray receiving tube and the **Latch Button** will lock it into place. Allow the right side of the table to hang down vertically on the right side of chair (Left & Right; as if you are seated in chair).
10. To make the tray permanently “non-restraint”, remove the **Snap Button** of the **Right Tray Arm**.

Wrinkles in Vinyl – Storage and shipping can cause wrinkles of the vinyl on your Winco chair. This is normal. Please allow 1-2 weeks at room temperature (approx. 70 degrees) to allow for vinyl to expand back to original appearance.

Periodically recheck tightness of all screw and bolts, and never use the chair arms or tray as a seat or the tray as a restraint.



<u>Parts List:</u>	<u>Qty.</u>	<u>Part Number</u>
Welded Footrest Tubes (Left & Right pair)	1	227120
Plastic Footplate	2	704010
Footrest Spring (spring steel tensioner)	2	227115
Back Frame with Grip Kit	1	240705
Frame only	1	240700
Grip only	1	703600
Main Chair Frame	1	240800
Total Lock 5" Caster	2	404500
Rigid 5" Caster	2	404610
Screws, slotted hex-head #10 x 3/4" (secure Back Frame to Seat Frame)	2	566537
Screws, Phillips pan-head #10 x 1-1/2" (secure Armrests to Main Chair Frame)	4	566514
Square Plastic Insert (for footrest tubes)	2	701035
Blow Molded Tray Assy. (w/ tray arms installed)	1	270000
Tray only	1	700410
Tray Receiving Tube Flanged Insert	1	701040
Tray Receiving Tube Plain Insert	3	701045
Left Tray Arm Assembly Kit	1	270010
Right Tray Arm Assembly Kit	1	270020

All Upholstered Parts

CALL FOR
PART NUMBERS





LIMITED WARRANTY

5516 SW 1st Lane • Ocala, FL 34474
 Phone (352) 854-2929 • (800) 237-3377 • Fax (352)
 854-9544

TERMS

Winco, Inc. warrants this product to be free of manufacturer's defects in material and workmanship, provided that the product is used according to normal operating conditions and proper maintenance intended by manufacturer. This warranty is available only to the original retail purchaser, is non-transferable and commences on the date of retail sale; proof of purchase required.

Limited One Year Complete Product Warranty: Winco, Inc. warrants the complete product for one (1) year. At Winco Inc. sole discretion, it may repair or replace any components freight free that are found to be defective during the first year. Winco, Inc. shall not be liable for any labor, or any other costs incurred as a result of or in conjunction with a warranty claim.

Limited Three Year Warranty: Winco, Inc. warrants the recliner mechanisms, electrical components, vinyl [from cracking or delaminating] pressurized gas springs, when new, for a period of three (3) years. At Winco, Inc. sole discretion, it may repair or replace components found to be defective. Winco, Inc. shall not be liable for any labor, shipping or any other costs incurred as a result of or in conjunction with a warranty claim.

Limited Lifetime Chair Frame Warranty: Winco, Inc. warrants the steel chair frame, when new, for the lifetime of the original purchaser. This limited warranty does not apply to paint/finish or any components attached to the frame such as; upholstery, foam, casters, mechanisms or related parts that are covered under above warranties. Winco, Inc. shall not be liable for any labor, shipping or any other costs incurred as a result of or in conjunction with a warranty claim.

The purchaser's exclusive remedy under this warranty shall be limited to such repair or replacement of defective components at Winco, Inc. sole discretion. For warranty service, contact the dealer that the product was originally purchased from or Winco, Inc. directly.

EXCLUSIONS

There are no other warranties, conditions, representations or guarantees, express or implied, made or intended by Winco, Inc., and all other warranties, conditions, representations or guarantees including any warranties, conditions, representations or guarantees under any Sale of Good Act or Like legislation or statute is hereby expressly excluded. Any and all other implied warranties shall not extend beyond the duration of the express warranty. Liability for incidental or consequential damages is excluded to the extent permitted by law. Some states do not allow the exclusion or limitation so the above limitation or exclusion may not apply to you. This warranty gives you specific legal rights. In addition you may also have other rights, which vary from state to state.

GENERAL PROVISIONS

No warranty herein contained or set out shall apply when damage or repair is caused by any of the following:

1. Damage in transit.
2. Accident, alteration, abuse or misuse of product ie. exceeding weight capacities, applying inordinate pressure to footrest/leg rest, use in Mental Health facilities or like institutions.
3. Fire, water damage, theft, war, riot, hostility, acts of God.

Examples contained in this list are not to be construed as all-inclusive.

