

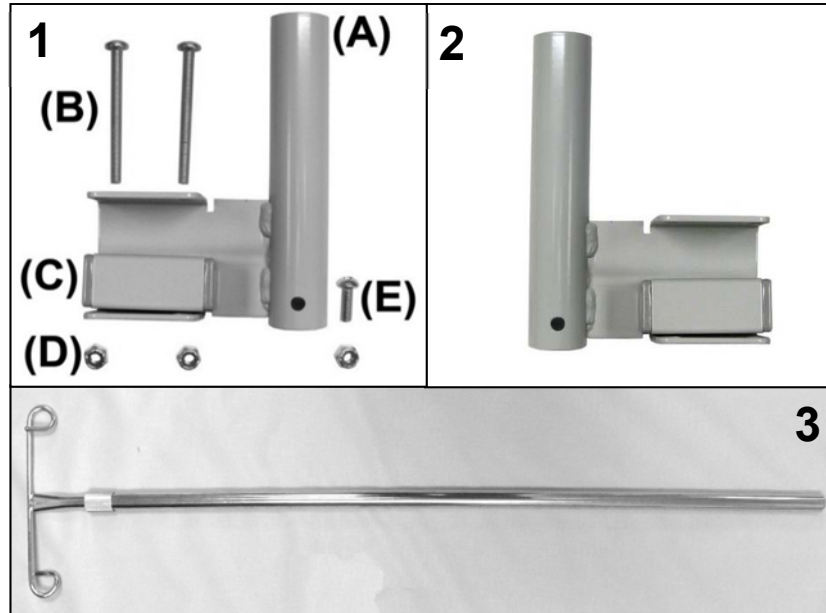
IV POLE For "A" Models: 525A-526A-529A-535A-536A-585A-586A-653A-654A-657A

PARTS LIST

Image Number	Note	Part Number	Description	QTY per Product
1	A,E	IVA1K	IV POLE & BRACKET KIT A1	1
1A	C	227600	IV U-Bracket Assembly	1
1B	C	566571	SCREW, 1/4-20 x 2 3/4" PHIL PAN HEAD	2
1C	C	566204	NUT-1/4-20 HEX NYLON LOCKNUT ZINC	3
1D	C	566504	SCREW-MACH 1/4-20 X 3/4 RND PHILLIP M/S ZINC	1
3	C, D	480500	IV POLE	1
1	B,E	IVB1K	IV POLE & BRACKET KIT B1	1
2	D	227605	IV U-Bracket Assembly	1
1B	D	566571	SCREW, 1/4-20 x 2 3/4" PHIL PAN HEAD	2
1C	D	566204	NUT-1/4-20 HEX NYLON LOCKNUT ZINC	3
1D	D	566504	SCREW-MACH 1/4-20 X 3/4 RND PHILLIP M/S ZINC	1
3	C, D	480500	IV POLE	1

NOTES

Note	Description
A	This bracket kit installs on the LEFT-REAR side of chair
B	This bracket kit installs on the RIGHT-REAR side of chair
C	These parts are included in IVA1 and in some cases can be ordered as separate items
D	These parts are included in IVB1 and in some cases can be ordered as separate items
E	Any Stand alone IV Pole must be purchased as a kit.
	<i>Left & Right is determined - as if sitting in the chair</i>



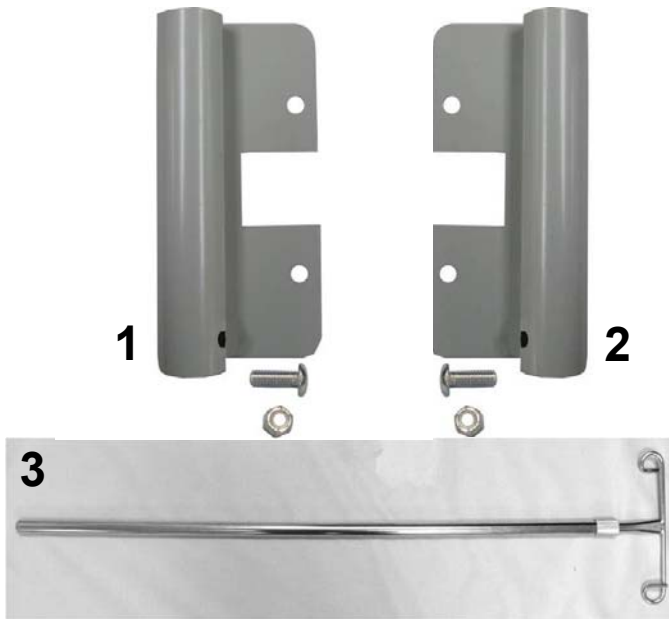
IV POLE For "A" Models: 2570, 2571, 2572, 2573, 2574, 2575, 527A, 655A

PARTS LIST

Image Number	Note	Part Number	Description	QTY per Product
1	A,E	IVA2K	IV POLE & BRACKET KIT A2	1
1A	C	227600	IV U-BRACKET ASSEMBLY	1
1B	C	566571	SCREW, 1/4-20 x 2 3/4" PHIL PAN HEAD	2
1C	C	227607	IV SPACER TUBE (527A-655A ONLY)	1
1C	C	700700	SQ 1" CAP, GRAY	2
1D	C	566204	NUT-1/4-20 HEX NYLON LOCKNUT ZINC	3
1E	C	566504	SCREW-MACH 1/4-20 X 3/4 RND PHILLIP M/S ZINC	1
3	C, D	480500	IV POLE	1
1	B,E	IVB2K	IV POLE & BRACKET KIT B2	1
2	D	227605	IV U-BRACKET ASSEMBLY	1
1B	D	566571	SCREW, 1/4-20 x 2 3/4" PHIL PAN HEAD	2
1C	D	227607	IV SPACER TUBE (527A-655A ONLY)	1
1C	D	700700	SQ 1" CAP, GRAY	2
1D	D	566204	NUT-1/4-20 HEX NYLON LOCKNUT ZINC	3
1E	D	566504	SCREW-MACH 1/4-20 X 3/4 RND PHILLIP M/S ZINC	1
3	C, D	480500	IV POLE	1

NOTES

Note	Description
A	527A, 655A installs on the LEFT-REAR side of chair. 2570, 2571, 2572, 2573, 2574, 2575 installs on the RIGHT-SIDE of chair.
B	527A, 655A installs on the RIGHT-REAR side of chair. 2570, 2571, 2572, 2573, 2574, 2575 installs on the LEFT-SIDE of chair.
C	These parts are included in IVA2 and in some cases can be ordered as separate items
D	These parts are included in IVB2 and in some cases can be ordered as separate items
E	Any Stand alone IV Pole must be purchased as a kit.
	<u>Left & Right is determined - as if sitting in the chair</u>



IV POLE For Models: 556-656-590B-690B-691A-694-695

PARTS LIST

Image Number	Note	Part Number	Description	QTY per Product
1	A,E	IVA3K	IV POLE & BRACKET KIT A3, LEFT REAR	1
1	C	227610	IV BRACKET ASSEMBLY	1
1	C	566204	NUT-1/4-20 HEX NYLON LOCKNUT ZINC	1
1	C	566504	SCREW-MACH 1/4-20 X 3/4 RND PHILLIP M/S ZINC	1
3	C, D	480500	IV POLE	1
2	B,E	IVB3K	IV POLE & BRACKET KIT A3, RIGHT REAR	1
2	D	227610	IV BRACKET ASSEMBLY	1
2	D	566204	NUT-1/4-20 HEX NYLON LOCKNUT ZINC	1
2	D	566504	SCREW-MACH 1/4-20 X 3/4 RND PHILLIP M/S ZINC	1
3	C, D	480500	IV POLE	1

NOTES

Note	Description
A	This bracket kit installs on the LEFT-REAR side of chair
B	This bracket kit installs on the RIGHT-REAR side of chair
C	These parts are included in IVA3 and in some cases can be ordered as separate items
D	These parts are included in IVB3 and in some cases can be ordered as separate items
E	Any Stand alone IV Pole must be purchased as a kit.
	<u>Left & Right is determined - as if sitting in the chair</u>



IV POLE For Models: 698-699

PARTS LIST

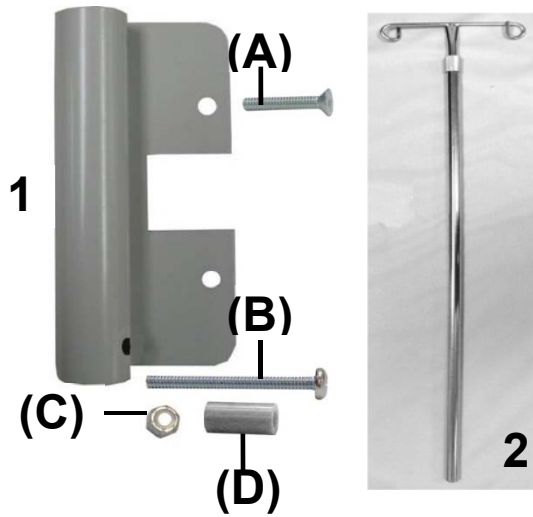
Image Number	Note	Part Number	Description	QTY per Product
1	A	IVA3-B	IV POLE & BRACKET KIT A3, BLACK, LEFT REAR	1
1	C	227610B	IV BRACKET ASSEMBLY, BLACK	1
1	C	566204	NUT-1/4-20 HEX NYLON LOCKNUT ZINC	1
1	C	566504	SCREW-MACH 1/4-20 X 3/4 RND PHILLIP M/S ZINC	1
3	C, D	480500	IV POLE	1
2	B, E	IVB3-B	IV POLE & BRACKET KIT A3, BLACK,RIGHT REAR	1
2	D	227610B	IV BRACKET ASSEMBLY, BLACK	1
2	D	566204	NUT-1/4-20 HEX NYLON LOCKNUT ZINC	1
2	D	566504	SCREW-MACH 1/4-20 X 3/4 RND PHILLIP M/S ZINC	3
3	C, D	480500	IV POLE	1

NOTES

Note	Description
A	This bracket kit installs on the LEFT-REAR side of chair
B	This bracket kit installs on the RIGHT-REAR side of chair
C	These parts are included in IVA3-B and in some cases can be ordered as separate items
D	These parts are included in IVB3-B and in some cases can be ordered as separate items
E	This kit is ONLY available for chairs made AFTER March 1st, 2011
	<i>Left & Right is determined - as if sitting in the chair</i>



(FACTORY INSTALLED ONLY)



IV POLE For Models: 590-590A-690-690A-691

PARTS LIST

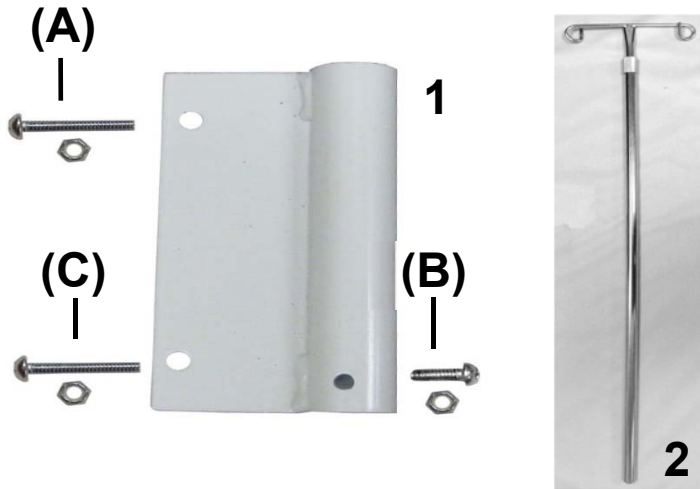
Image Number	Note	Part Number	Description	QTY per Product
1	A,B	IVA4-CONFIG	IV BRACKET A4, CONFIGURATOR ONLY	1
1	B,C	227610	IV BRACKET ASSEMBLY	1
1A	B,C	566590	1/4-20 X 1 1/2" FLAT PHILLIPS HEAD SCREW	1
1B	B,C	566519	SCREW-MACH 1/4-20 X 2 1/2 PAN PHILLIP M/S ZINC	1
1C	B,C	566204	NUT-1/4-20 HEX NYLON LOCKNUT ZINC	1
1D	B,C	227621	WASHER-1/4 NYLON SPACER (.257 X .5 X .875)	1
2	B,C	480500	IV POLE	1

NOTES

Note	Description
A	This bracket kit installs on the LEFT-REAR side of chair
B	These parts can ONLY be order as replacement parts.
C	These parts are included in IVA4-CONFIG and in some cases can be ordered as separate items



(FACTORY INSTALLED ONLY)



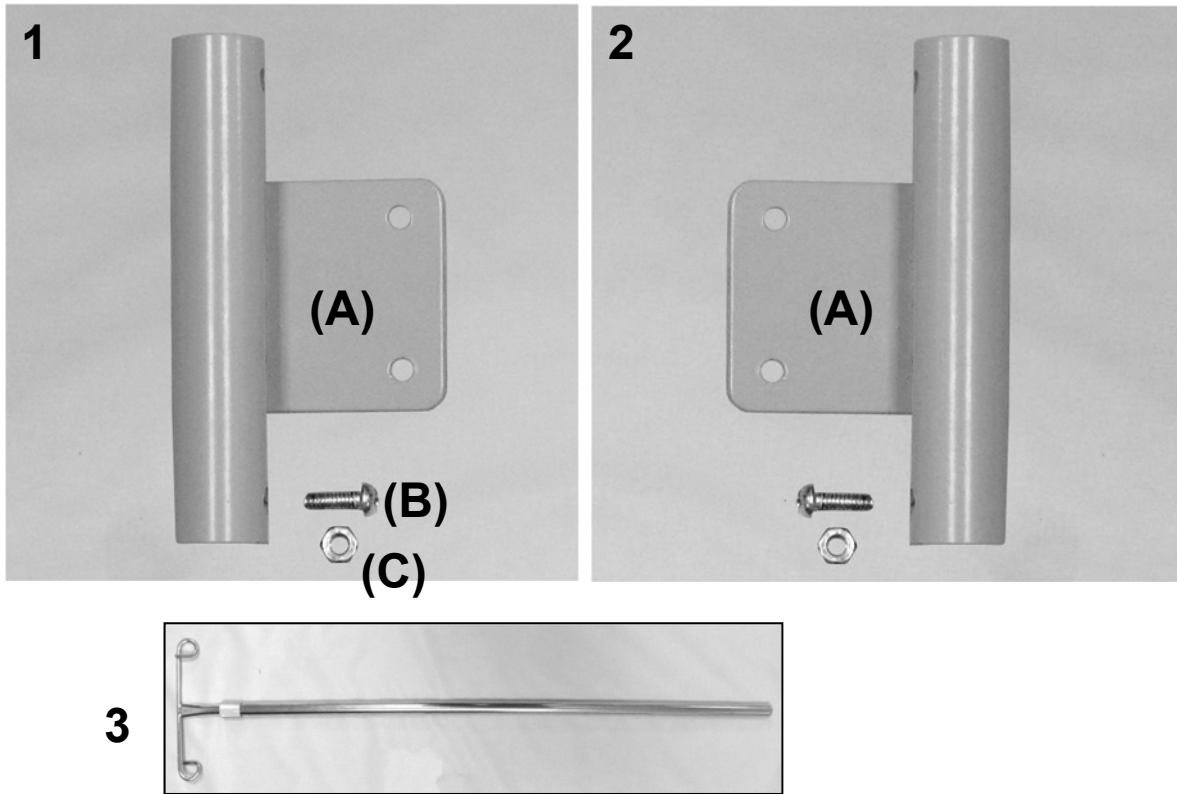
IV POLE For Models: 9681

PARTS LIST

Image Number	Note	Part Number	Description	QTY per Product
1	A, B	IVA5-CONFIG	IV BRACKET A4, CONFIGURATOR ONLY	1
1	B, C	227620	IV BRACKET ASSEMBLY (681A)	1
1A	B, C	566506	SCREW-MACH 1/4-20 X 1 1/2 RND PHIL M/S ZINC	2
1B	B, C	566504	SCREW-MACH 1/4-20 X 3/4 RND PHILLIP M/S ZINC	1
1C	B, C	566204	NUT-1/4-20 HEX NYLON LOCKNUT ZINC	3
2	B, C	480500	IV POLE	1

NOTES

Note	Description
A	This bracket kit installs on the LEFT-REAR side of chair
B	These parts can ONLY be order as replacement parts.
C	These parts are included in IVA5-CONFIG and in some cases can be ordered as separate items
	<u>Left & Right is determined - as if sitting in the chair</u>



IV POLE For Models: 540-557-558-567-568-670-671-674-675

PARTS LIST

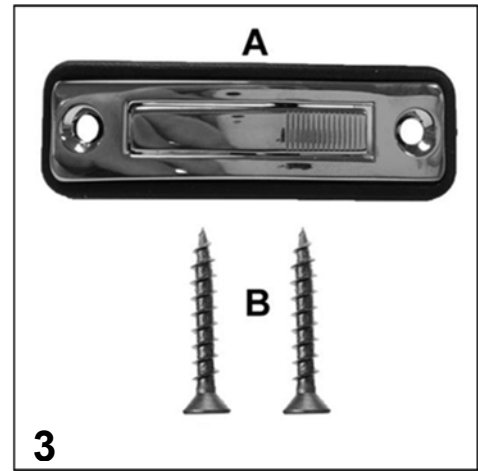
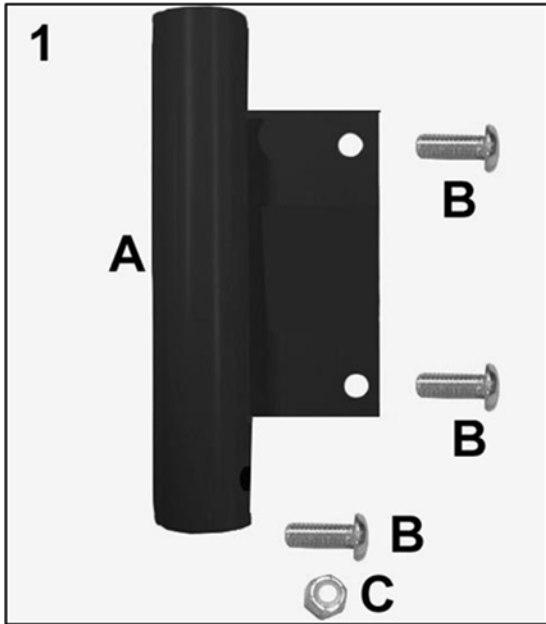
Image Number	Note	Part Number	Description	QTY per Product
1	A,E	IVA6K	IV POLE & BRACKET KIT, 540-557-558-670 LEFT SIDE	1
1A	C	227630	WELDED, IV BRKT (540 STYLE)	1
1B	C	566504	SCREW-MACH 1/4-20 X 3/4 RND PHILLIP M/S ZINC	1
1C	C	566204	NUT-1/4-20 HEX NYLON LOCKNUT ZINC	1
3	C, D	480500	IV POLE	1
2	B,E	IVB6K	IV POLE & BRACKET KIT, 540-557-558-670 RIGHT SIDE	1
2A	D	227630	WELDED, IV BRKT (540 STYLE)	1
1B	D	566504	SCREW-MACH 1/4-20 X 3/4 RND PHILLIP M/S ZINC	1
1C	D	566204	NUT-1/4-20 HEX NYLON LOCKNUT ZINC	1
3	C, D	480500	IV POLE	1

NOTES

Note	Description
A	This bracket kit installs on the LEFT-REAR side of chair
B	This bracket kit installs on the RIGHT-REAR side of chair
C	These parts are included in IVA6 and in some cases can be ordered as separate items
D	These parts are included in IVB6 and in some cases can be ordered as separate items
E	Any Stand alone IV Pole must be purchased as a kit.
	<i>Left & Right is determined - as if sitting in the chair</i>



IVA8-IVB8 For Models: Vero



PARTS LIST				
Image Number	Note	Part Number	Description	QTY per Product
1	A	IVA8-B	IV POLE & BRACKET KIT A8, BLACK, LEFT REAR	1
1A	C	227650B	WELDED IV BRACKET (Vero)-Black	1
1B	C	566504	SCREW-MACH 1/4-20 X 3/4 RND PHILLIP M/S ZINC	3
1C	C	566204	NUT-1/4-20 HEX NYLON LOCKNUT ZINC	1
2	C, D	480500	IV POLE	1
1	B	IVB8-B	IV POLE & BRACKET KIT B8, BLACK, RIGHT REAR	1
1A	D	227650B	WELDED IV BRACKET (Vero)-Black	1
1B	D	566504	SCREW-MACH 1/4-20 X 3/4 RND PHILLIP M/S ZINC	3
1C	D	566204	NUT-1/4-20 HEX NYLON LOCKNUT ZINC	1
2	C, D	480500	IV POLE	1
3			FOLEY BAG HOLDER	1
3A	E	403420	FLUSH RING PULL SPRING LOADED	1
3B	E	566605	#8 X 1 WOOD SCREW, SS, FLAT HD, PHILLIPS	2

NOTES	
Note	Description
A	This bracket kit installs on the LEFT-REAR side of chair
B	This bracket kit installs on the RIGHT-REAR side of chair
C	These parts are included in IVA8-B and in some cases can be ordered as separate items
D	These parts are included in IVB8-B and in some cases can be ordered as separate items
E	These parts must be ordered separately.
	<i>Left & Right is determined - as if sitting in the chair</i>



Title:	IV Pole Options Parts List	Page 9 of 9
	PL-IV OPT	Effective Date: 11/30/2017
		Rev. 02

Revision History

REV	Effective Date	CCR Number	Description of Change
01	01/31/17	DCC 17-003	Update format. Add Vero.
02	11/30/17	ECN 17-026	Update IV Pole kit PN and misc. minor corrections.