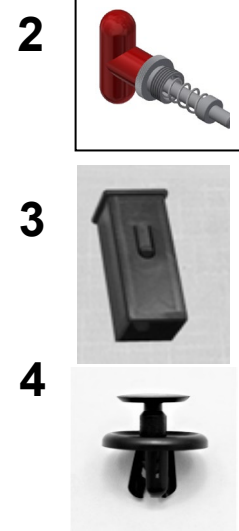
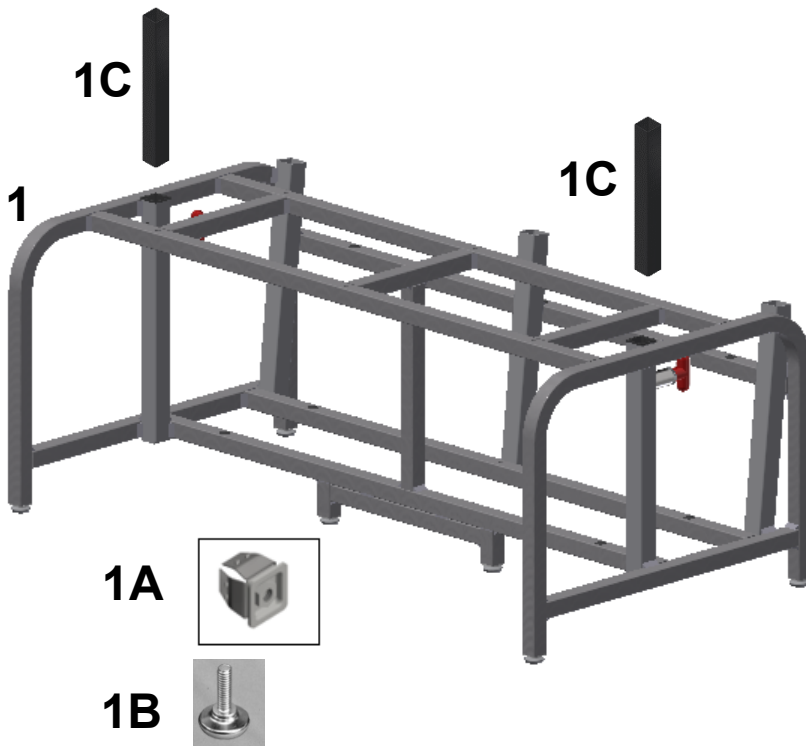


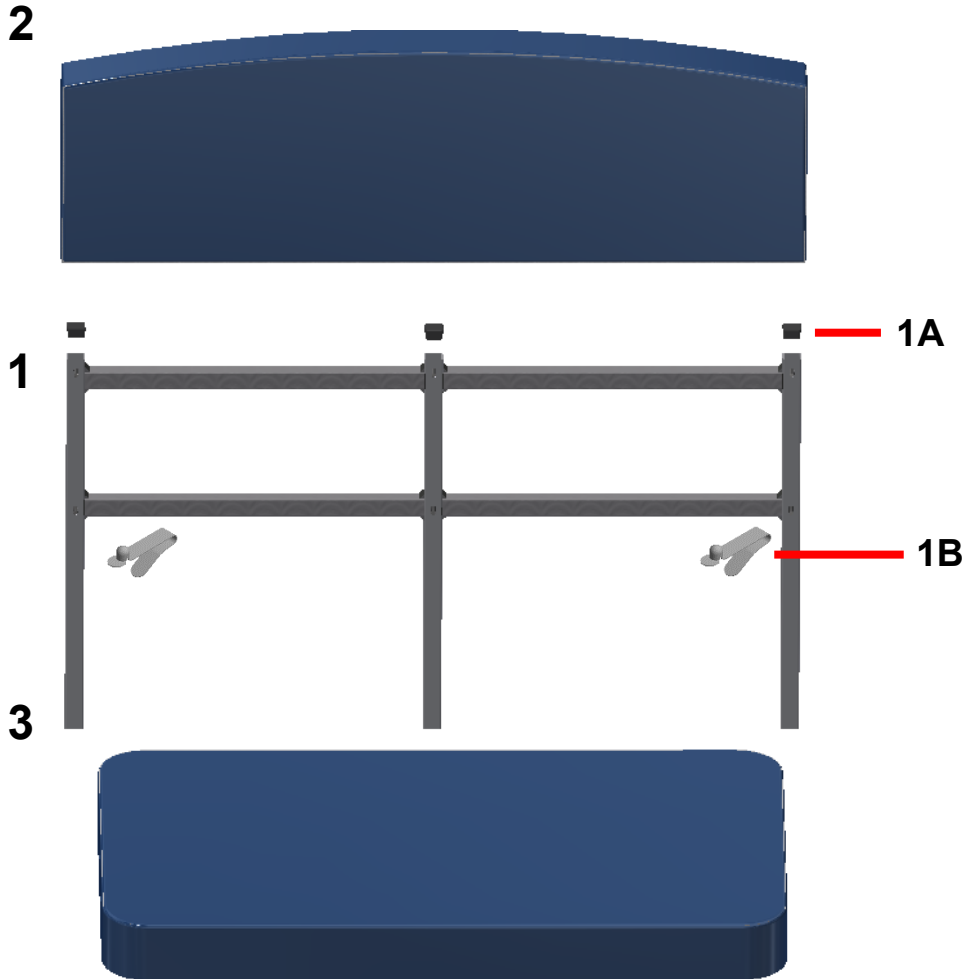
HARMONY BDC

2580 - EXTRA WIDE BLOOD-DRAWING CHAIR

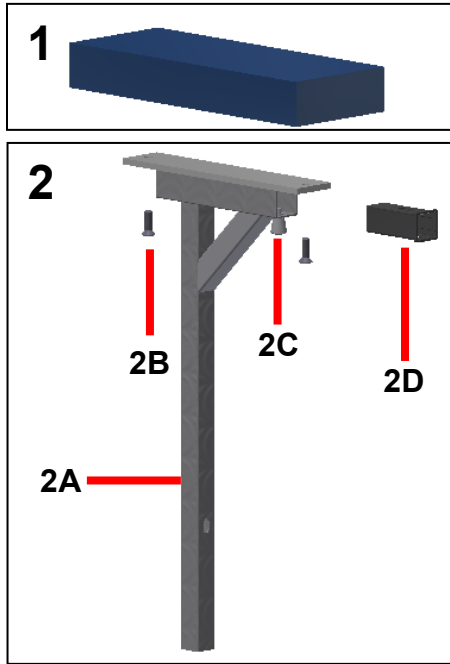
PARTS LIST



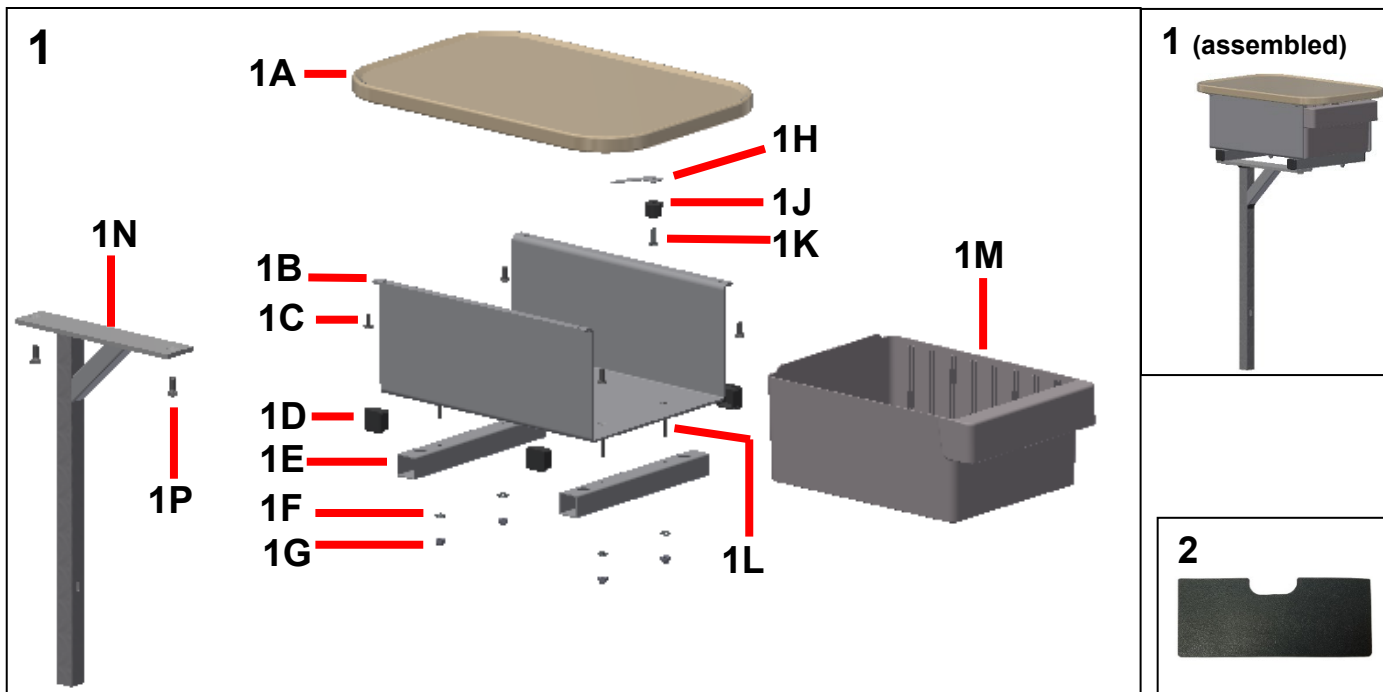
PARTS LIST				
Image Number	Note	Part Number	Description	QTY per Product
1		226105	XXL WELDED MAIN FRAME	1
1A	A	702265	XXL LEG LEVELER INSERT	6
1B	A	500350	GLIDE NON-SWIVEL ZINC 5/16X1" NP LN	6
1C	A	701055	SQUARE TUBE SLEEVE EXTRUSION	2
2		700725	RELEASE PIN ASSEMBLY	1
3		701035	SQUARE INSERT W/BUTTON	5
4		700908	SHIELD RETAINER FASTENER 2-PC, BLACK	8
NOTES				
Note	Description			
A	Order with 226105 .			



PARTS LIST				
Image Number	Note	Part Number	Description	QTY per Product
1	C	232600	XXL PHLEB BACK WELDMENT	1
1A		700700	SQ 1" RIBBED CAP, BLACK	3
1B		401800	VALCO SNAP BUTTON ZINC PL	2
2	A	U0252XX	2580 UPHOLSTERED BACK	1
4		566546	MACH SCREW 1/4-20 X 1 3/4" ZINC PAN PHIL	6
3	A	U0352XX	2580 UPHOLSTERED SEAT	1
NOTES				
Note	Description			
A	XX- Use color code for specific part number i.e. 02 - Royal Blue			
B	It is NOT recommended that these parts be sold seperately however in special cases they can be.			
C	Order 700700 & 401800 with this part.			
OPTIONS	For Upholstered parts with TB133: Add "TB" after Part Number i.e. U020702 TB			



PARTS LIST				
Image Number	Note	Part Number	Description	QTY per Product
1	A, B	U2002XX	XXL SHORT ARM CUSHION	1
2	C	226276K	WELDED ARM COLUMN ASSM. KIT	1
2A	D	226770	XXL PHLEBOTOMY ARM WELDMENT	1
2B		566640	SCREW 5/16-18 X 1 PHIL FLAT HD M/S ZINC	2
2C	D	MC300SL-0016	PLUNGER, SWING LEG	1
2D		701035	SQUARE INSERT W/BUTTON	1
Note	Description			
A	XX- Use color code for specific part number i.e. 02 - Royal Blue			
B	For TB133 Add TB after Part Number i.e. U2002XX TB			
C	This KIT includes everything shown in image 2.			
D	It is NOT recommended that these parts be sold separately however in special cases they can be.			

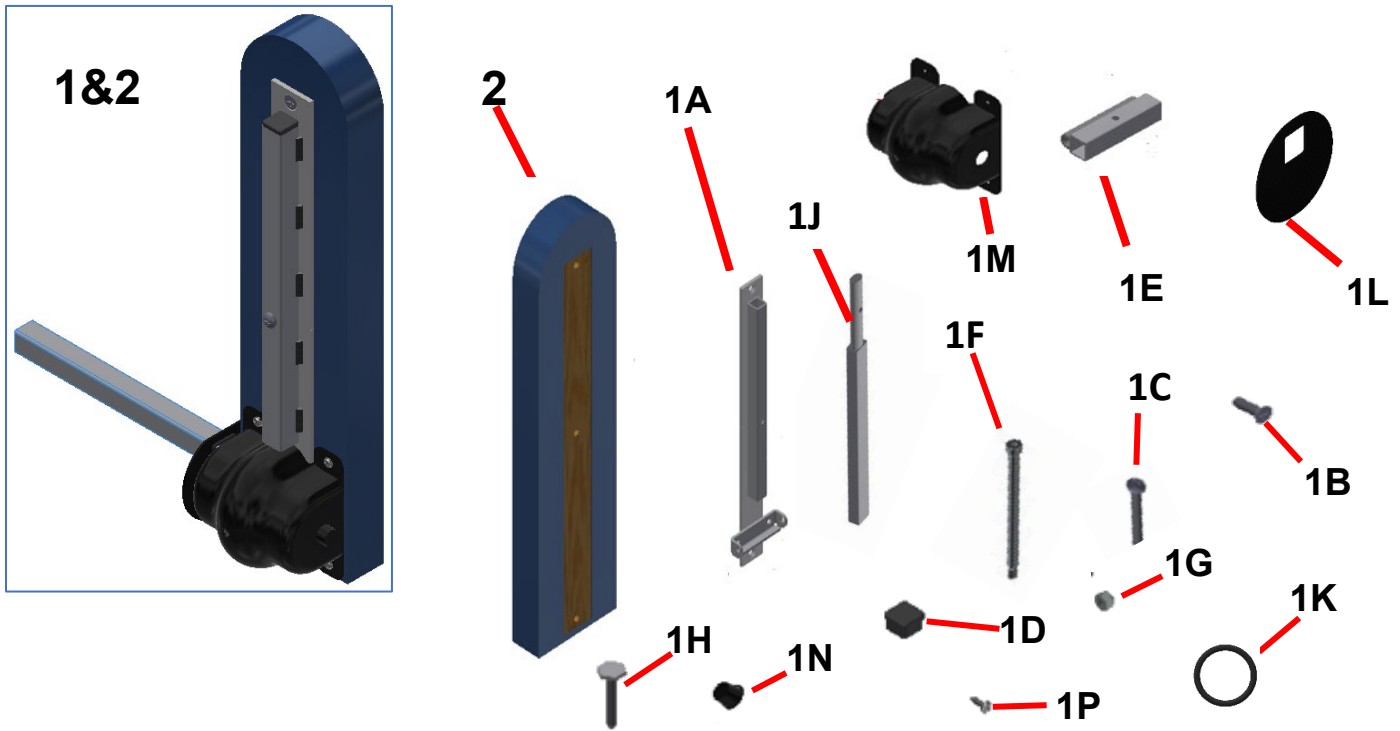


PARTS LIST

Image	Note	Part Number	Description	QTY per
1	A	226275K	XXL CABINET ASSM. COMPLETE KIT	1
1A	B	700440	BLOW MOLD SIDE TABLE	1
1B	B	202360	DRAWER FRAME (GRAY)	1
1C	B	566613	#12 -11 X 1/2" PAN PHIL THREAD ROLLING SCREW, ZINC	4
1D	B	700700	SQ 1" RIBBED CAP, BLACK	4
1E	B	221185	XXL PHLEBOTOMY CABINET SUPPORT	2
1F	B	566302	WASHER 10 SAE F/W ZINC	4
1G	B	566203	NUT 10-24 HEX NYLON LOCK NUT	4
1H	B	700630	DRAWER STOP 2570	1
1J	B	701905	RUBBER BUMPER	1
1K	B	566628	#10-14 x 5/8" PHIL PAN HD ZINC STL THREAD ROLLING SCREW	1
1L	B	566574	SCREW-10-24 x 1 1/2 FLAT HEAD SCREW	4
1M	B	700570	AKRO BIN	1
1N	B	232605	XXL PHLEBOTOMY CABINET WELDMENT	1
1P	B	566410	BOLT - 5/16 X 3/4 HEX HEAD	2
2	C	200580K	OPTIONAL AKRO BIN DIVIDER 6 PACK	1

NOTES

Note	Description
A	This KIT includes everything shown in image 1.
B	Can be ordered as a stand-alone item
C	Sold as an option to the drawer. Up to 8 individual pieces available per chair.

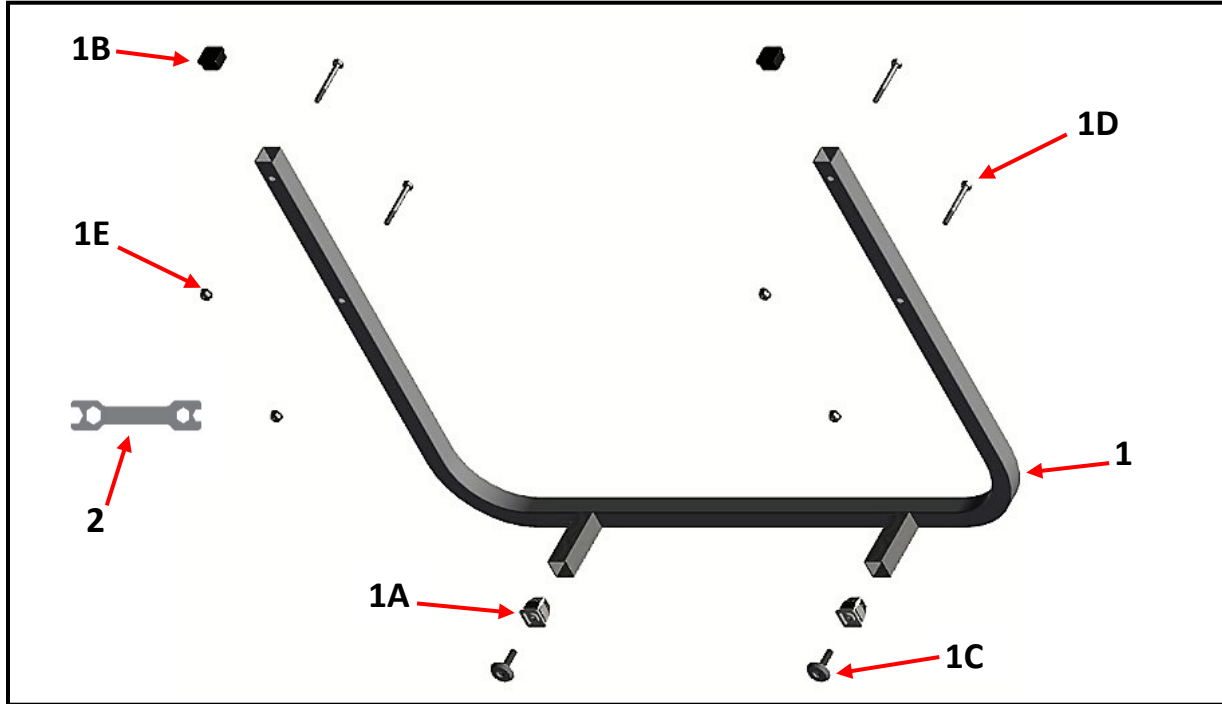


PARTS LIST

Image	Note	Part Number	Description	QTY per
2	A	U2202XX	UPHOLSTERED L-ARMREST	1
1		226277K	L-ARM ASSEMBLY KIT (does not include upholstered armrest)	1
1A	B	226715	XXL WELDED ARM PLATE HINGE	1
1B		566640	SCREW 5/16-18 X 1 PHIL FLAT HD M/S ZINC	2
1C		566541	SCREW 5/16-18 X 2 PAN HD PHIL M/S ZINC	1
1D		700700	SQ 1" RIBBED CAP, BLACK	1
1E	B	226755	XXL WELDED ARM EXTENSION TUBE, SHORT	1
1F	B	566555	3/8 X 4 1/2, ZINC SKT SHOULDER SCREW	1
1G	B	566205	NUT-5/16-18 HEX NYLON LOCK NUT ZINC	1
1H		406200	ARM LEVELER	1
1J	B	226760	XXL WELDED ARM EXTENSION TUBE	1
1K		566642	O-RING, NITRILE	2
1L		270200	L-ARM GUARD COVER	1
1M		700415	L-ARM GUARD	1
1N		700703	CAP BLACK VINYL	1
1P		566534	SCREW-TAP 10 X 3/4 RND WASHER SQ T/S ZINC	4

NOTES

Note	Description
A	XX- Use color code for specific part number i.e. 02 - Royal Blue
B	It is NOT recommended that these parts be sold separately however in special cases they can be.
OPTIONS	For TB133 Add TB after Part Number i.e. U2202XTB
	<u>Left & Right is determined - as if sitting in the chair</u>



PARTS LIST				
Image Number	Note	Part Number	Description	QTY per Product
1		226750	FOOTREST WELDMENT	1
1A		702265	XXL LEG LEVELER INSERT	2
1B		700700	SQ 1" RIBBED CAP, BLACK	2
1C		500350	GLIDE NON-SWIVEL ZINC 5/16X1" NP LN	2
1D		566226	1/4-20 X 2-1/4" GRADE A ZINC FINISH HEX BOLT	4
1E		NU-FS-ZP-25-20	NUT, HEX FLANGED, Z/P, .250-20	4
2		40895	OPEN & BOX WRENCH	1
		006109	FOOT REST INSTALLATION	1
				4

REV	Effective Date	CCR Number	Description of Change
01	11-21-18	ECN 18-034	Initial release for 2580.