

TMM5X PLUS

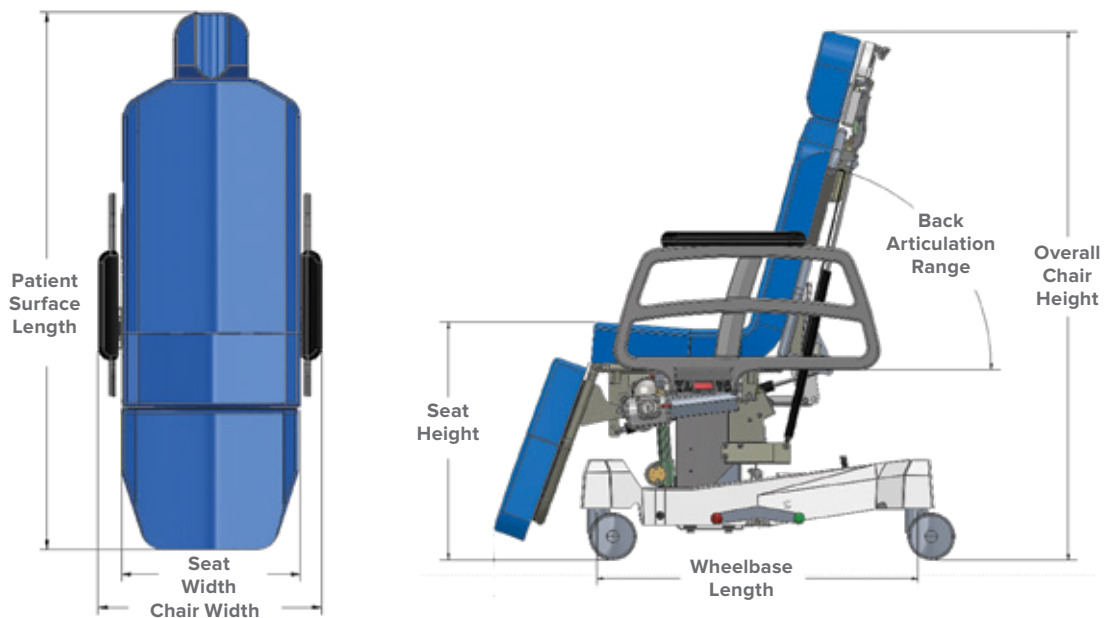
SPECIFICATIONS

SURGICAL STRETCHER-CHAIR WITH SEAT TILT

SPECIFICATION DESCRIPTION	MODELS*	
	TMM5 PLUS-XB	TMM5 PLUS-XWTB
Maximum Patient Weight	500 lb (227 kg)	500 lb (227 kg)
Seat Height, Low	24.3" (61.7 cm)	23.4" (59.4 cm)
Seat Height, High	32.2" (81.8 cm)	39.2" (99.6 cm)
Back Height	33.75" (85.73 cm)	33.75" (85.73 cm)
Side Rail Height, Up (seat pan to rail top)	13.5" (34.3 cm)	13.5" (34.3 cm)
Overall Chair Height, Low	56" (142.24 cm)	56" (142.24 cm)
Overall Chair Height, High	64" (163 cm)	71" (181 cm)
Seat Width	24" (61 cm)	28" (71 cm)
Overall Width (rails up)	30" (76 cm)	34" (86.4 cm)
Overall Width (rails down)	24" (61 cm)	28" (71 cm)
Patient Surface Length (without "F" option)	75" (189 cm)	75" (189 cm)
Side Rail Length	27.6" (70.1 cm)	27.6" (70.1 cm)
Backrest Articulation Range	0° - 86°	0° - 86°
Headpiece Articulation Range (fully elevated - fully retracted)	30° - 60°	30° - 60°
Headpiece Adjustment Range (lowered - raised)	.9" - 3.5" (2 cm - 9 cm)	.9" - 3.5" (2 cm - 9 cm)
Trendelenburg**	20° / 5° Reverse	20° / 5° Reverse
Wheelbase (length X width)	33" x 20" (84 cm x 51 cm)	33" x 20" (84 cm x 51 cm)

* All models not represented - Additional configurations available.

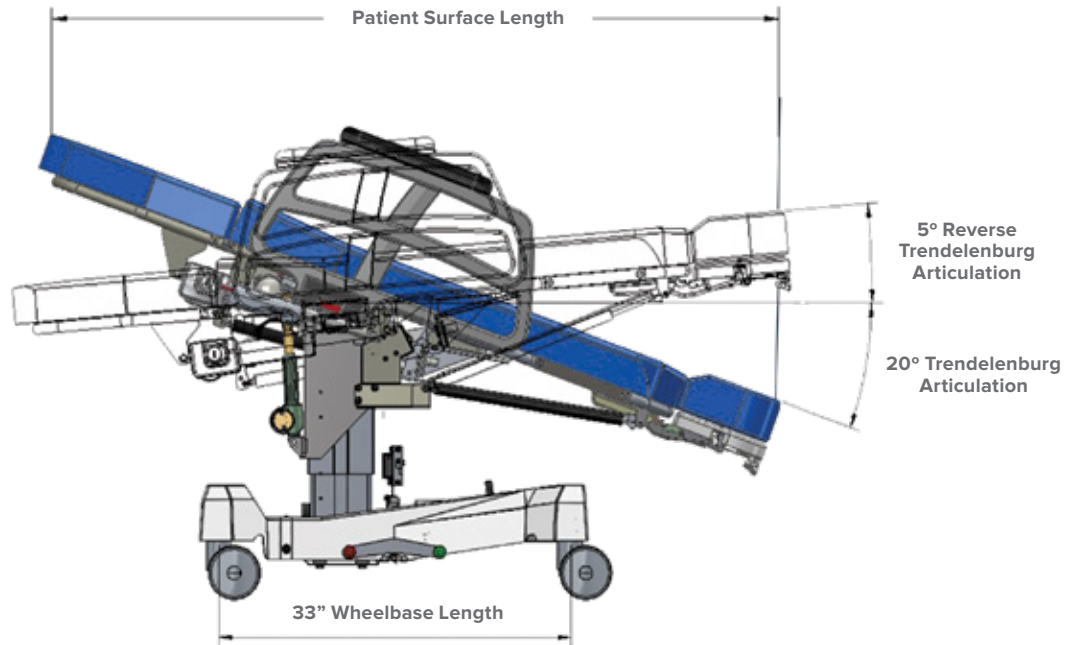
** An additional 2° of Trendelenburg is achieved when the Manual Quick Release is utilized.



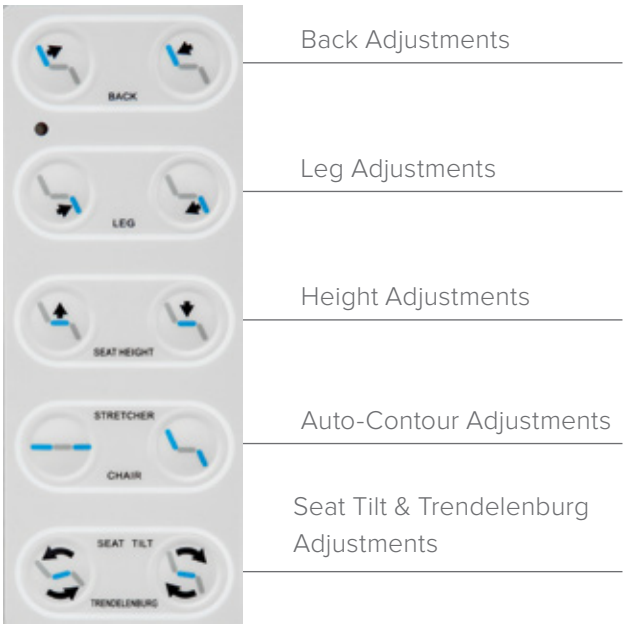
ONE PATIENT, ONE SURFACE®

 **TransMotion**
by Winco

TMM5X SURGICAL STRETCHER-CHAIR WITH SEAT TILT SPECIFICATIONS



10-BUTTON PENDANT



- Back Adjustments
- Leg Adjustments
- Height Adjustments
- Auto-Contour Adjustments
- Seat Tilt & Trendelenburg Adjustments

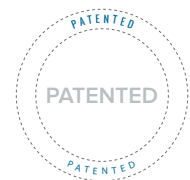
CHARGING SYSTEM SPECIFICATIONS

	"B" OPTION	"A" OPTION
Input, Volts	100V - 240V	120V
Input, Current	1.0A (Max)	1.6A (Max)
Input, Frequency	50HZ / 60HZ	60HZ
Output	+24V - 1.5A	+24V - 7A
Maximum Power	36W	36W
Battery Packs	24V - 4.5Ah Sealed Lead Acid	24V - 4.5Ah Sealed Lead Acid

ELECTRICAL SPECIFICATIONS

Mode of Operation	2 Min Load / 18 Min Rest
Voltage	24V DC

NOTE: Winco Mfg., LLC reserves the right to revise specifications without notice.



CONTACT US

To arrange a demonstration or to speak with one of our associates, please feel free to contact us at:
800-237-3377 | WincoMfg.com | 5516 SW 1st Lane, Ocala, FL 34474 | Info@WincoMfg.com